

Product **Contacts: 4, male panel mount connector, screwed from front, with single wires, 0.25 mm²**
 Area **M8 Series 768/718**
 Article number **09 3391 86 04**

Illustration	Scale drawing	Contact Arrangement															
		<table border="1" style="margin: 10px 0;"> <thead> <tr> <th></th> <th>X</th> <th>Y</th> </tr> </thead> <tbody> <tr> <td>1</td> <td>-1,70</td> <td>-0,50</td> </tr> <tr> <td>2</td> <td>-1,08</td> <td>1,45</td> </tr> <tr> <td>3</td> <td>1,70</td> <td>-0,50</td> </tr> <tr> <td>4</td> <td>1,08</td> <td>1,45</td> </tr> </tbody> </table> <ul style="list-style-type: none"> 1 braun/brown 2 weiß/white 3 blau/blue 4 schwarz/black 		X	Y	1	-1,70	-0,50	2	-1,08	1,45	3	1,70	-0,50	4	1,08	1,45
	X	Y															
1	-1,70	-0,50															
2	-1,08	1,45															
3	1,70	-0,50															
4	1,08	1,45															

You can find the assembly instruction on the next page.

Technical data

General features

Connector Design	male panel mount connector
Connector locking system	bolted
Termination	single wires 0,25
Wire gauge (mm)	0,25 mm ²
Wire gauge (AWG)	24
Upper temperature	85 °C
Lower temperature	-40 °C

Electrical parameters

Rated voltage	60 V
Rated impulse voltage	800 V
Pollution degree	3
Overvoltage category	II
Material group	II
Rated current (40°C)	4 A
Volume resistivity	≤ 3 mΩ
EMV compliance	not shielded
Degree of protection	IP67
Mechanical operation	> 100 Mating cycles

Material

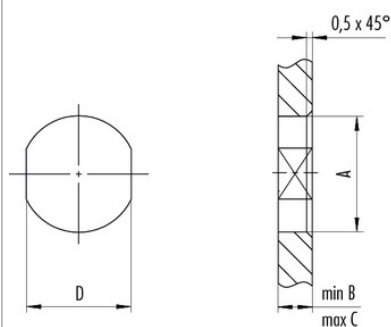
Material of contact	CuZn (Messing)
Contact plating	Au (gold)
Material of contact body	PA (UL 94 HB)

Product **Contacts: 4, male panel mount connector, screwed from front, with single wires, 0.25 mm²**
 Area **M8 Series 768/718**
 Article number **09 3391 86 04**

Installation instructions / Mounting cutout

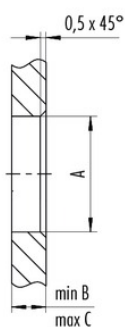
1. Einbauvorschlag
1. Installation proposal

Mit Fläche als Verdrehschutz
With flats as anti-rotation device



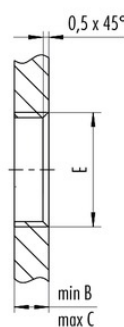
2. Einbauvorschlag
2. Installation proposal

Mit Durchgangsbohrung
With bore hole



3. Einbauvorschlag
3. Installation proposal

Mit Gewinde, einschraubbar
With thread to screw in



Gewinde E/thread E	A	B	C	D
M8 x 1	8,1	2,0	3,5	7,1
M10 x 0,75	10,1	2,0	6,5	9,1
M12 x 1	12,1	2,5	4,5	10,0

Anzugsdrehmoment/Tightening torque 1 Nm