

Han HsB-SMC-MC-CRT-1.5 mm² / 16 AWG-Ag

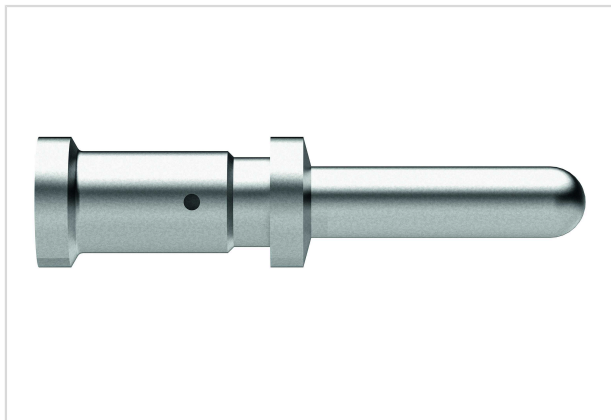


Image is for illustration purposes only. Please refer to product description.

Part number	09 31 000 6104
Specification	Han HsB-SMC-MC-CRT-1.5 mm ² / 16 AWG-Ag
HARTING eCatalogue	https://b2b.harting.com/09310006104

Identification

Category	Contacts
Series	Han [®] HsB
Type of contact	Crimp contact

Version

Gender	Male
Manufacturing process	Turned contacts

Technical characteristics

Conductor cross-section	1.5 mm ²
Conductor cross-section	AWG 16
Operating current	≤35 A
Contact resistance	≤1 mΩ
Stripping length	9.5 mm

Material properties

Material (contacts)	Copper alloy
Surface (contacts)	Silver plated

Specifications and approvals

Specifications	EN 60664-1 IEC 61984
----------------	-------------------------



Pushing Performance

Commercial data

Packaging size	25
Net weight	2.5 g
Country of origin	Germany
European customs tariff number	85366990
eCl@ss	27440204 Contact for industrial connectors