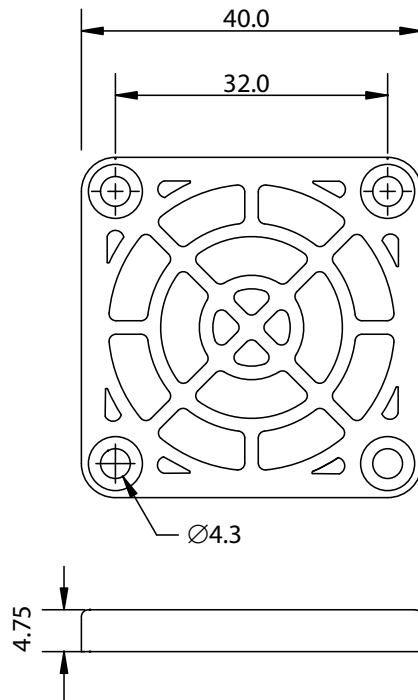


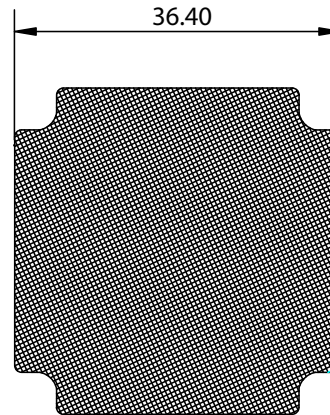
THESE DRAWINGS ARE THE PROPERTY OF QUALTEK ELECTRONICS AND NOT TO BE REPRODUCED FOR OR COMMUNICATED TO A THIRD PARTY WITHOUT THE EXPRESS WRITTEN PERMISSION OF AN OFFICER OF QUALTEK ELECTRONICS.

REVISION			
REV.	DESCRIPTION	DATE	APPROVED
B	RoHS Compliance	06-01-06	DP

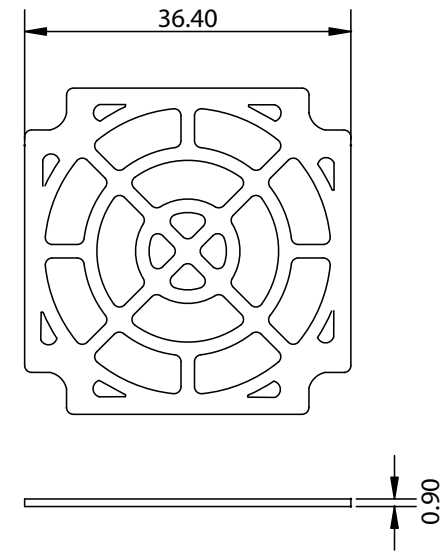
FAN GUARD



MEDIA



RETAINER



**CONTROLLED**

NOTES:

MEDIA\* AVAILABLE IN:

- XX=30 PPI \*\*
- 45 PPI \*\*
- 60 PPI \*\*
- 100 PPI \*\*

\* UL 900 CLASS II

\*\* Pores Per Inch

RoHS COMPLIANT

Dim range (mm)		Tolerance +/- (mm)	Qualtek Electronics Corp. FAN-S DIVISION		
0-5	0.1	Part Number: <b>09150-F/XX</b> <span style="border: 1px solid green; padding: 2px;">RoHS Compliant</span>	Description: <b>PLASTIC FAN FILTER ASSEMBLY</b>		
5-16	0.15				
16-64	0.2		UNIT: mm	REV: B	
64-250	0.4	Drawn / Date	Checked / Date	Approved / Date	
250-1000	0.5	B.ZHANG 10-17-03	10-17-03	JJH / 10-17-03	
1000-1500	1.0				