

Han PE-module male axial 38qmm

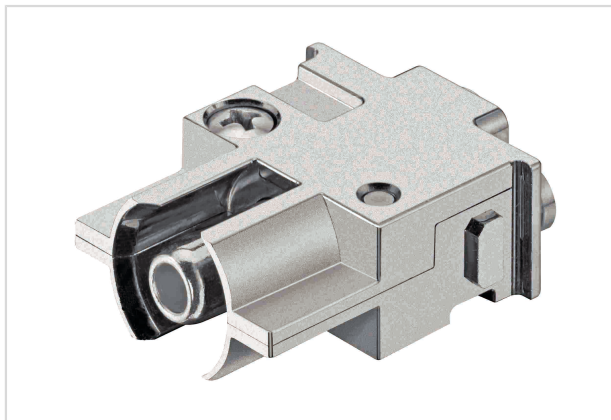


Image is for illustration purposes only. Please refer to product description.

| | |
|--------------------|---|
| Part number | 09 14 001 2634 |
| Specification | Han PE-module male axial 38qmm |
| HARTING eCatalogue | https://b2b.harting.com/09140012634 |

Identification

| | |
|--------------------|----------------|
| Category | Modules |
| Series | Han-Modular® |
| Type of module | Han® PE module |
| Size of the module | Single module |

Version

| | |
|--------------------|--|
| Termination method | Axial screw termination |
| Gender | Male |
| Number of contacts | 1 |
| Pack contents | PE module with pre-assembled axial screw contact |

Technical characteristics

| | |
|-------------------------|------------------------------------|
| Conductor cross-section | 22 ... 38 mm ² |
| Contact resistance | ≤0.3 mΩ |
| Stripping length | 13 mm |
| Tightening torque | 2 Nm 6 ... 8 Nm for axial screw |
| Limiting temperature | -40 ... +125 °C |
| Mating cycles | ≥500 |

Material properties

| | |
|---------------------|------------------------------|
| Material (insert) | Zinc die-cast, nickel-plated |
| Material (contacts) | Copper alloy |



Pushing Performance
Since 1945

Material properties

| | |
|--------------------------------------|--|
| Surface (contacts) | Silver plated |
| RoHS | compliant with exemption |
| RoHS exemptions | 6(c): Copper alloy containing up to 4 % lead by weight |
| ELV status | compliant with exemption |
| China RoHS | 50 |
| REACH Annex XVII substances | Not contained |
| REACH ANNEX XIV substances | Not contained |
| REACH SVHC substances | Yes |
| REACH SVHC substances | Lead |
| ECHA SCIP number | 5dbb3851-b94e-4e88-97a1-571845975242 |
| California Proposition 65 substances | Yes |
| California Proposition 65 substances | Lead Nickel |

Specifications and approvals

| | |
|----------------|--|
| Specifications | IEC 61984 |
| UL / CSA | UL 1977 ECBT2.E235076 CSA-C22.2 No. 182.3 ECBT8.E235076 |

Commercial data

| | |
|--------------------------------|---|
| Packaging size | 1 |
| Net weight | 77.75 g |
| Country of origin | Germany |
| European customs tariff number | 85366990 |
| eCl@ss | 27440217 Module for industrial connectors (power/signals) |