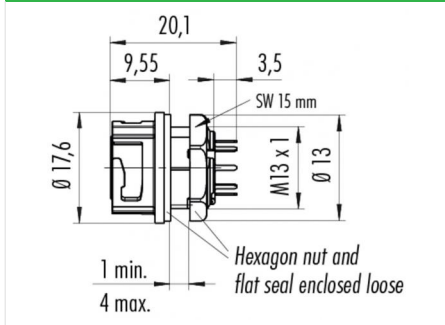


Product description	<b>Contacts: 8, female panel mount connector, dip-solder</b>
Area	<b>Bayonet NCC Series 770 MED</b>
Order number	<b>09 0774 490 08</b>

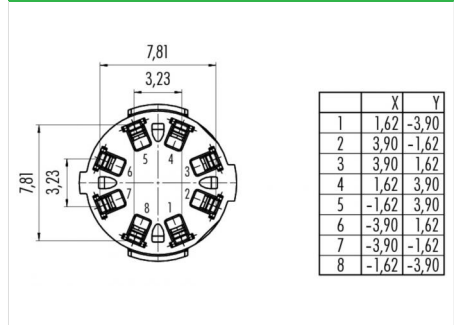
**Illustration**



**Scale drawing**



**Contact arrangement**



You can find the component part drawing and assembly instructions on the next page.

**Technical data**

**General values**

Connector design	female panel mount connector
Connector locking system	Bayonet
Termination	dip-solder
Wire gauge (mm)	0,25 mm <sup>2</sup>
Wire gauge (AWG)	max. 24
Upper limit temperature	85 °C
Lower limit temperature	-25 °C

**Electrical values**

Rated current (40 °C)	2 A
Rated voltage	175 V
Rated impulse voltage	1750 V
Pollution degree	2
Overvoltage category	II
Insulating material group	II
Volume resistivity	≤ 15 mΩ
Degree of protection	IP67

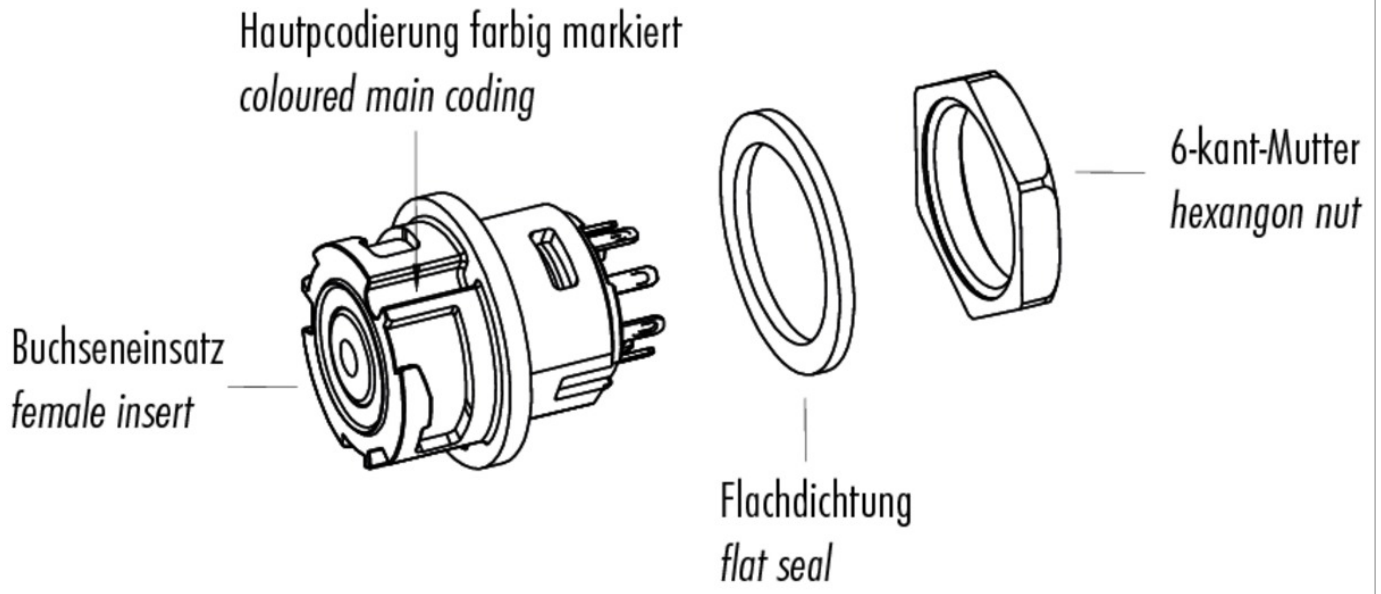
**Material**

Contact material	CuSn (bronze)
Contact plating	Au (gold)
Contact body material	PA (UL 94 V-0)
Housing material	PA

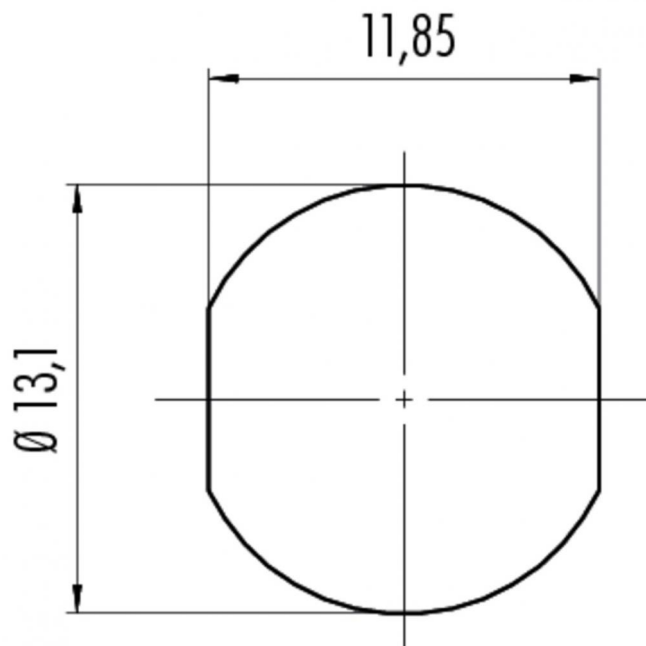
Product description      **Contacts: 8, female panel mount connector, dip-solder**

Area                              **Bayonet NCC Series 770 MED**  
Order number                **09 0774 490 08**

Component part drawing



Assembly instructions / Panel cut-out



Product description      **Contacts: 8, female panel mount connector, dip-solder**

Area      **Bayonet NCC Series 770 MED**  
Order number      **09 0774 490 08**

## Security notices

The connector must not be connected or separated under load. Non-observance and incorrect use can result in personal injury.

The connectors are designed for use in plant, control system and electrical equipment. The end user is responsible for checking whether the connectors are suitable for use in other applications.

Connectors with degree of protection IP 67 and IP 68 are not suitable for use under water. When used outdoors, the connectors must be separately protected against corrosion. For further information about IP degrees of protection refer to 'Technical support' in the Download Centre.