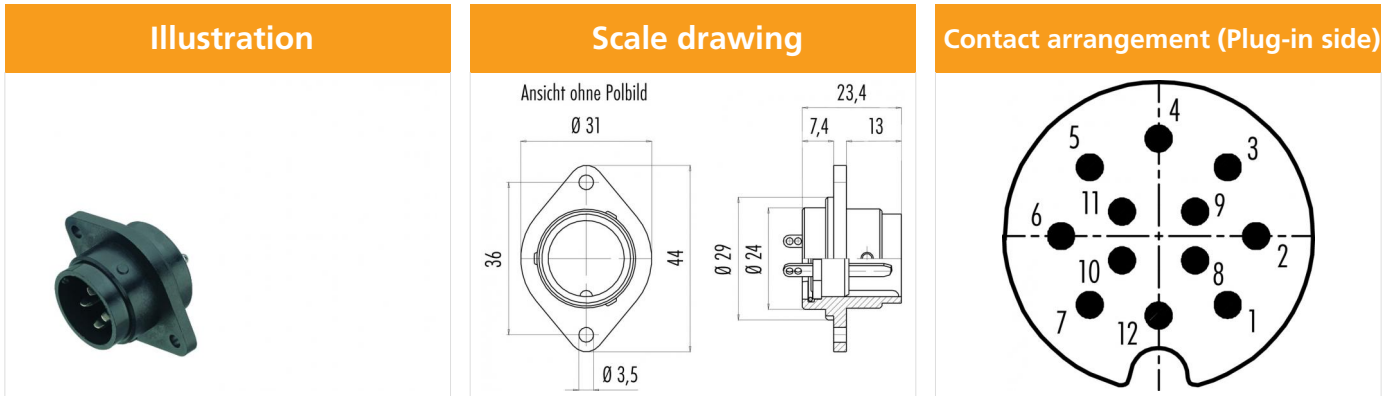


Product description **Bayonet male panel mount connector, Contacts: 12, unshielded, solder, IP40**
 Area **Bayonet series 690**
 Order number **09 0469 00 12**



You can find the component part drawing and assembly instructions on the next page.

Technical data

General features

Order number	09 0469 00 12
Connector design	male panel mount connector
Version	connector male straight
Connector locking system	Bayonet
Termination	solder
Degree of protection	IP40
Cross-sectional area	0.75 mm ² / AWG 18
Temperature range from/to	-40 °C / 85 °C
Mechanical operation	> 50 Mating cycles
Weight (g)	14.944
Customs tariff number	85369010

Material

Housing material	PBT
Contact body material	PBT (UL94 V-0)
Contact material	CuZn (brass)
Contact plating	CuSnZn (Optalloy)
REACH SVHC	CAS 7439-92-1 (Lead)

Classifications

eCl@ss 11.1	27-44-01-09
ETIM 7.0	EC003569

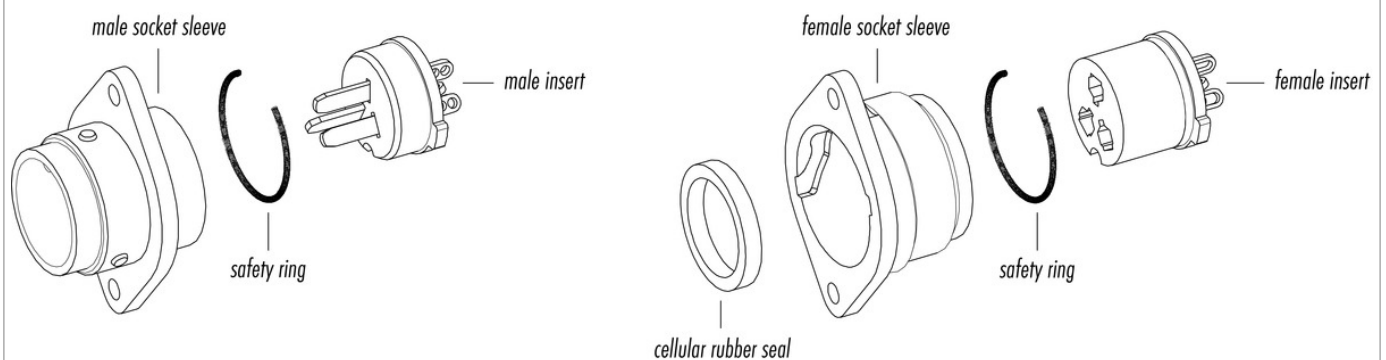
Electrical parameters

Rated voltage	125 V
Rated impulse voltage	1500 V
Rated current (40 °C)	5 A
Insulation resistance	$\geq 10^{10} \Omega$
Pollution degree	1
Overvoltage category	II
Insulating material group	III
EMC compliance	unshielded

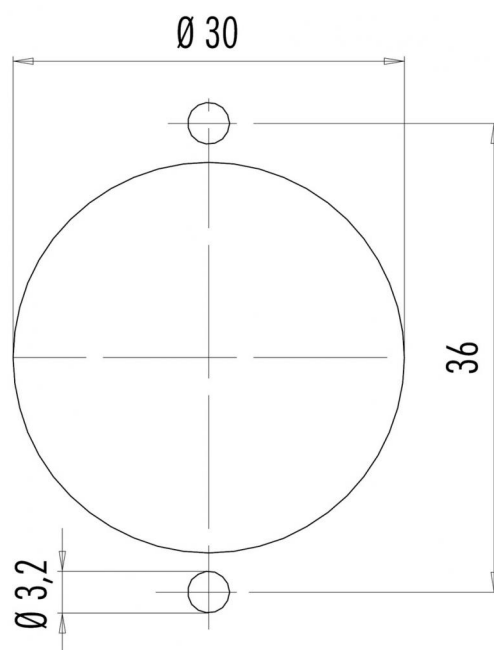
Product description Bayonet male panel mount connector, Contacts: 12, unshielded, solder, IP40

Area Bayonet series 690
Order number 09 0469 00 12

Component part drawing



Assembly instructions / Panel cut-out



Product description **Bayonet male panel mount connector, Contacts: 12, unshielded, solder, IP40**

Area **Bayonet series 690**
Order number **09 0469 00 12**

Security notices

The connector must not be plugged or unplugged under load. Non-observance and improper use can result in personal injury.

The connectors have been developed for applications in plant engineering, control and electrical equipment construction. The user is responsible for checking whether the connectors can also be used in other areas of application.