

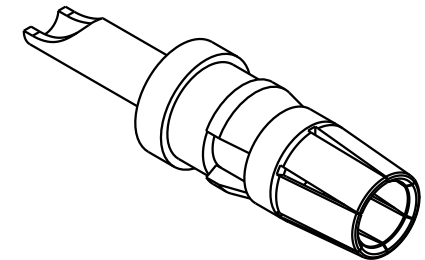
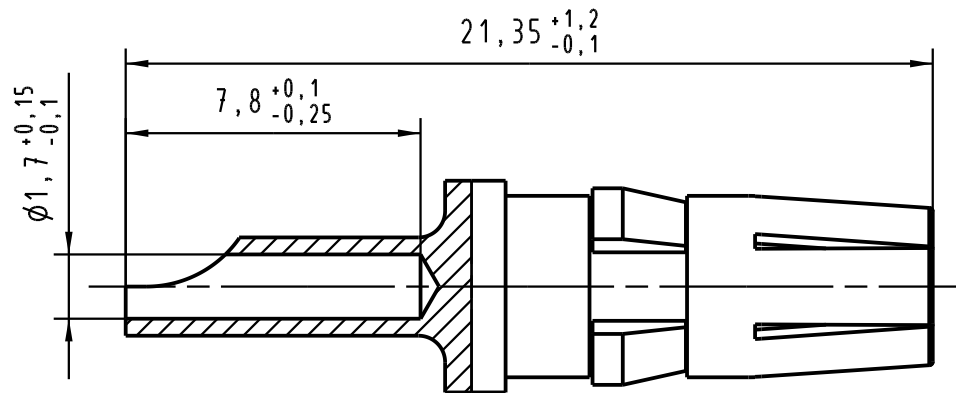
5



4

3

2

1



|   |   |          |      |  |          |      |   |   |  |  |            |
|---|---|----------|------|--|----------|------|---|---|--|--|------------|
| A |  All Dimensions in mm<br>Original Size DIN A 4 |          |      | Techn. Character. <b>DIN 41626 Teil 1</b>              |          |      | Nicht tolerierte Maß/Free size tolerances<br>DIN 41626 Teil 1                         |   |  |  |            |
|   |   |          |      |  | Dat.     | Name | Maßstab/Scale<br><br><b>5 : 1</b>   | Hochstromkontaktbuchse 10A Löt<br>für Federleiste Typ M<br><i>female power contact 10A solder<br/>for female connector type M</i> |  |  |            |
|   |   |          |      | Detail.  | 17.07.02 | Buß. |   |   |  |  |            |
|   |   |          |      | Insp.  | 17.07.02 | kfoe |   |   |  |  |            |
|   |   |          |      | Stand.   |          |      |   |   |  |  |            |
|   | 32669   | 18.04.05 | Cla  | HARTING Electronics GmbH & Co. KG<br>D-32339 ESPELKAMP |          |      |  | <b>TB 09 03 000 6201</b>  |  |  | Blatt/page |
|   | 30079   |          |      |  |          |      |   | Sub. TB 09 03 000 620. Mod. 14667 v. 21.04.93   |  |  |            |
|   | Mod.  | Dat.     | Name |  |          |      |   |   |  |  |            |