

# Power Distribution Blocks

A powerful way to manage your power distribution challenges.



**Your problem:**

You're facing the enormously complex wiring requirements of an automated manufacturing facility. Or the compatibility problems of a commercial complex retrofit. Or the need for seamless electrical service in a hospital annex that's anything but seamless. Where can you turn to solve your power distribution problems?

**Our solution:** Well beyond circuit protection solutions. Mersen offers you an arsenal of circuit management products. One of which is our line of polycarbonate 600V / 90 to 1520A Power Distribution Blocks. Safe and convenient, durable and easy to install, they're the simple way to split primary power circuits into secondary circuits — or provide fixed-junction tap-off points. Either way, our full range of sizes accommodate any gauge aluminum or copper conductor. Exclusive adder poles snap onto the 1, 2, or 3-pole blocks for maximum pole flexibility . . . and safety covers are available.

**Want more information fast?** For more technical or application-specific information, please call our Power Distribution Block experts, at 978-462-6662; 416-252-9371 in Canada; or visit our website at [ep.mersen.com](http://ep.mersen.com).

## I Power Distribution Blocks

- Finger-Safe / FSPDB Series .....12
- MPDB Open-Style PDBs.....14
- MPDB62-MPDB63 (Mini)  
Open-Style PDBs .....16
- MPDB66-MPDB67 (Intermediate)  
Open-Style PDBs .....17
- MPDB68-MPDB69 (Large)  
Open-Style PDBs .....18
- MPDB Double-Wide  
Open-Style PDBs .....19

# FSPDB Finger-Safe Power Distribution Blocks

## Safety evolving

Mersen FSPDBs introduce a new level of safety and ease for installing power distribution blocks. An IP20 level of finger-safe protection is achieved using FSPDBs, eliminating the need for special covers or custom Plexiglas sheets to protect your panels. FSPDBs (sizes 1 to 4) simply snap onto 35mm DIN rail to provide the quickest installation. Modular design also allows for multi pole applications by use of assembly pins. FSPDBs provide a safe, convenient way of splicing cables, splitting primary power into a variety of secondary circuits or providing a fixed junction tap-off point.

## Features/Benefits:

- **Finger-safe protection**  
Fully insulated block ensures touch safe isolation of live parts. Recessed termination screws and wire openings provide IP20 grade protection and qualify as “finger-safe” per IEC 529.
- **Compact modularity**  
Single or multiple pole configurations in the most compact footprint. Allows users to build smaller or higher density panels.
- **Snap on DIN-rail mounting**  
Sizes 1 to 4 feature integral DIN rail adaptors allowing for quick and easy installations on 35mm DIN rail yielding lower installed costs.
- **Captive termination screws**  
Unique channel design ensures captive metric wire termination screws. Screws can never be lost.
- **Available accessories**  
For multi-pole panel mounting, simply snap in pins for rigid fit. Cap plugs provide the ability to maintain touch safety on unused openings. Circuit identification markers simply snap into blocks to ID circuits. End anchors provide rigid end stops.
- **Multiple wire ratings**  
Provide users more versatility by offering capability of using multiple conductors in #2 and 2/0 openings.
- **AC & DC ratings**  
FSPDB1, 2, and 3 have been evaluated for use at 1000V (AC or DC) provided they are installed on DIN-rails only and with barriers between poles of opposite polarity of sufficient size to maintain required spacings.



## Ratings:

- Volts** : FSPDB1,2,3  
1500VAC/DC  
: FSPDB4,5  
600VAC/DC
- Amps** : 175 to 840A
- SCCR** : 600V or less, 100kA  
with proper fuse.  
: Over 600V, 10kA

Contact Technical Services for instruction sheet.

## Approvals:

- UL Recognized Component Guide XCFR2, File E73571
- CSA Certified: Class 6228, File 69363
- IEC-947-7-1, 529, 68-2-6, CE Marked



# FSPDB Finger-Safe Power Distribution Blocks

## Catalog Numbers

Catalog Number		Ampere Rating (Based on NEC Table 310-16 for 75° C Cu wire only)	Line			Load			Short Circuit Current Rating
Aluminum (Connector rated for 90° C Cu/AL wire)	Copper (Connector rated for 75° C Cu wire only)		Wire Range		Openings	Wire Range		Openings Per Pole	
			AWG/	mm <sup>2</sup>		AWG/ kcmil	mm <sup>2</sup>		
FSPDB1A	FSPDB1C	175	2/0-#14	70-2.5	1	2/0-#14	70-2.5	1	100kA*
FSPDB2A	FSPDB2C	175	2/0-#14	70-2.5	1	#2-#14	35-2.5	4	100kA*
FSPDB3A	FSPDB3C	310	350-#6 2/0-#14	185-16 70-2.5	1	#8-#14	8-2.5	8	100kA*
FSPDB4A	FSPDB4C	335	400-#6	185-16	1	400-#6	185-16	1	100kA*
FSPDB5A	FSPDB5C	840	600-#4	300-25	2	600-#4	300-25	2	100kA*

\*Contact Mersen Technical Services at [technicalservices.nby@mersen.com](mailto:technicalservices.nby@mersen.com) for fuse type and maximum ampere required.

Multiple Wire Ratings (Same Size & Type Wires Only)			
2/0 Openings		#2 Openings	
(2) #4 AWG	(2) #10 AWG	(2) #6 AWG	(2-4) #12 AWG
(2) #6 AWG	(2) #12 AWG	(2) #8 AWG	(2-4) #14 AWG
(2) #8 AWG	(2) #14 AWG	(2-4) #10 AWG	

## Dimensions

Dimension	FSPDB1A FSPDB1C Figure 1		FSPDB2A FSPDB2C Figure 1		FSPDB3A FSPDB3C Figure 2		FSPDB4A FSPDB4C Figure 1		FSPDB5A FSPDB5C Figure 2	
	mm	in	mm	in	mm	in	mm	in	mm	in
	A	25.4	1.00	28.4	1.12	46.9	1.85	39	1.54	72
B	43.3	1.70	57.8	2.28	64.3	2.53	108	4.25	91	3.58
C	49.5	1.95	56.0	2.21	64.3	2.53	80	3.15	80	3.15
D	45.1	1.78	51.6	2.03	59.8	2.36	75.5	2.97	-	-
E	39.4	1.55	39.4	1.55	51.5	2.03	50.1	1.97	50.1	1.97
F	72.6	2.86	87.7	3.45	100.8	3.97	145.5	5.73	145	5.71
G	59.6	2.35	74.6	2.94	82.4	3.24	120.6	4.75	127.5	5.02
H	5.3	0.21	5.1	0.20	6.5	0.26	7	0.28	3	0.12
I	-	-	-	-	31.5	1.24	-	-	52	2.04
J	5.3	0.21	6.4	0.25	6.5	0.26	6.5	0.26	6.5	0.26
K	10	0.40	11.7	0.46	8.9	0.35	16	0.63	8.5	0.34

## Accessories

Catalog No.	Description
FSPIN1	Accessory pin to form multiple pole block
FSCIM1	Circuit identification marker for 2/0 & #2 max. conductors (80 per card)
FSCIM2	Circuit identification marker for 350, 400 & 600 kcmil max. conductors (56 per card)
FSCAP1	Cap plug for spare 2/0 openings
FSCAP2	Cap plug for spare 350 kcmil openings
FSCAP3	Cap plug for spare 600 kcmil opening
FSEA	Pair of end anchors

Figure 1

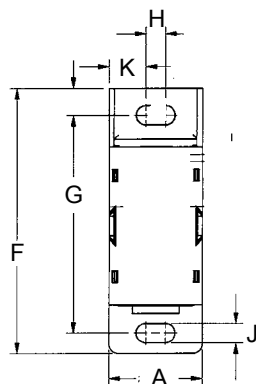
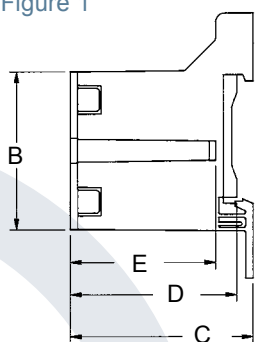
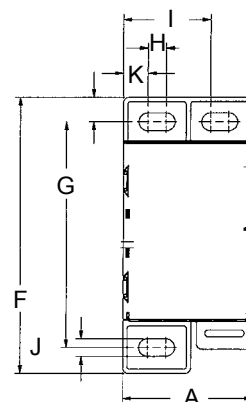
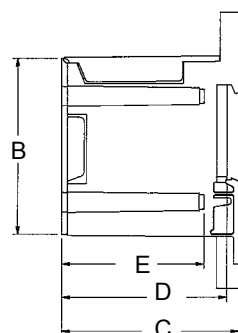


Figure 2



For the most current product performance data visit [ep.mersen.com](http://ep.mersen.com) and use catalog search.

# MPDB Series Open-Style Power Distribution Blocks

## The Next Generation Power Distribution Block (PDB)

Mersen power distribution blocks provide a safe and easy method of splicing cables, splitting primary power into secondary circuits and fulfilling requirements for fixed junction tap-off points. All blocks are UL and CSA approved while meeting spacing requirements for feeder and branch circuits in conjunction with UL508A and the National Electrical Code®. PDB options include single or dual conductor primary inputs and up to 30 secondary outputs. Specialty blocks are available allowing for up to 7 primary inputs. The MPDB series is offered in three size categories: miniature (MPDB62 and MPDB63 series), intermediate (MPDB66 and MPDB67 series), and large (MPDB68 and MPDB69 series), in both aluminum and copper.

## Features/Benefits:

### • Adder Poles

All sizes have optional adder poles for increased flexibility and ease-of-use. Adder poles can be stacked to form multi-pole units in the field without the use of tools. Adder poles allow for customization of primary and secondary wire combinations. End barriers are also available for sale, catalog numbers can be found in the catalog number selection tables for each size block.

### • Wire Connectors

Standard aluminum and copper wire connectors are available. Aluminum connectors accept both AL or CU wire while copper connectors accept CU wire only. Connectors are all 1-piece tin-plated.

### • Insulators

Insulators are virtually unbreakable, made of glass-filled polycarbonate. "See-through," hinged safety covers are optional and provide a greater degree of safety and shock resistance where required. Hinged covers can be installed without tools.

### • Spacings

1 inch through air and 2 inches over surface between uninsulated live parts of opposite polarity meets requirements for feeder and branch circuit applications of UL508A.

### • Safety Covers

Polycarbonate safety covers provide dead-front protection. One cover is needed for each pole. Each cover has a test probe hole in the center for circuit checking. Covers are optional accessories and catalog numbers can be found in the catalog selection tables for each size block.

## Additional Specifications:

<b>Wire Type:</b>	Copper Blocks: 60/75°C Solid/Stranded CU Aluminum Blocks: 60/75/90°C Solid/Stranded AL and CU
<b>Connector:</b>	Copper Blocks: Highly conductive tin-plated copper Aluminum Blocks: Highly conductive tin-plated aluminum
<b>Insulating Material:</b>	Glass-filled polycarbonate with verified dielectric strength in excess of 2500V
<b>Flammability:</b>	UL94-V0
<b>Mounting:</b>	Direct panel mount
<b>Environmental:</b>	RoHS compliant, Lead Free



## Ratings:

**Volts** : 1000VAC/DC

**Amps** : 65 to 2260A  
based on NEC table  
310.15(B)(16) 75°C  
ampacities

**SCCR** : 100kA with properly  
sized fuse

(See Mersen's PDB SCCR  
guide at [ep.mersen.com](http://ep.mersen.com) or  
contact Mersen technical  
services)

## Approvals:

- UL Listed to subject 1953,  
File E352417
- CSA Certified Class 6228 01

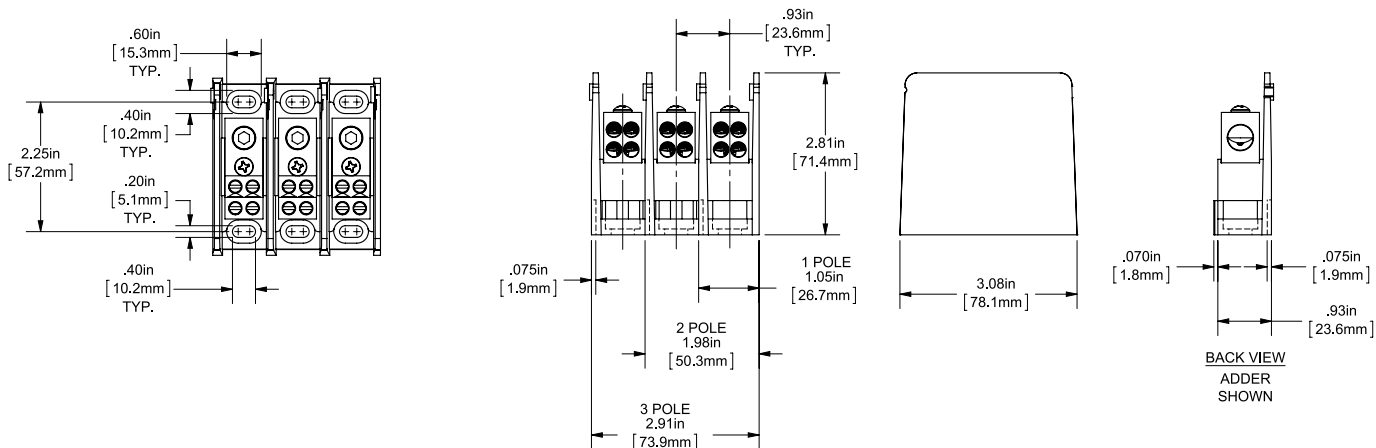


**MERSEN**

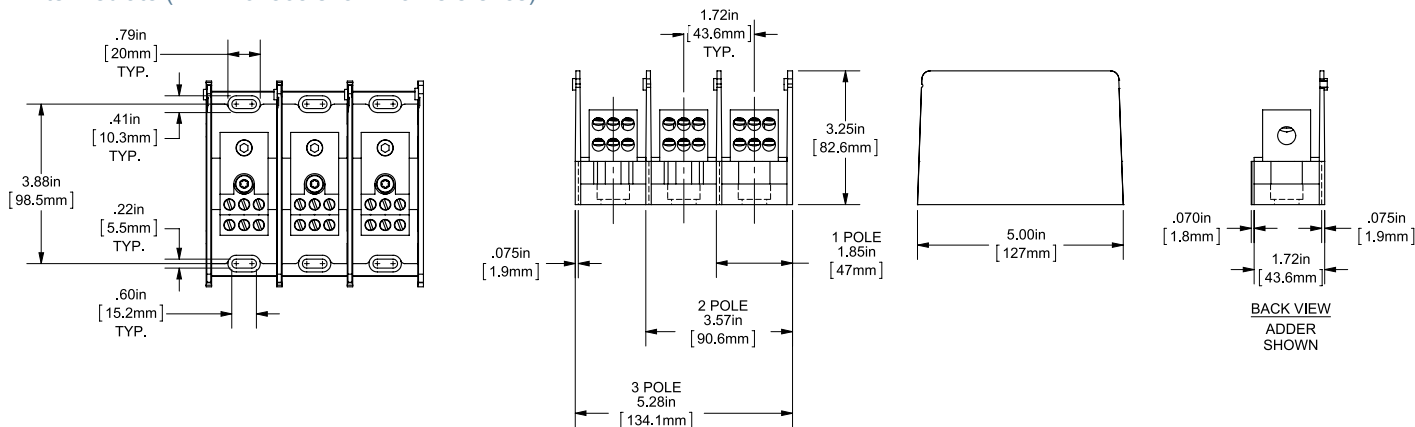
# MPDB Series Open-Style Power Distribution Blocks

## Dimensions

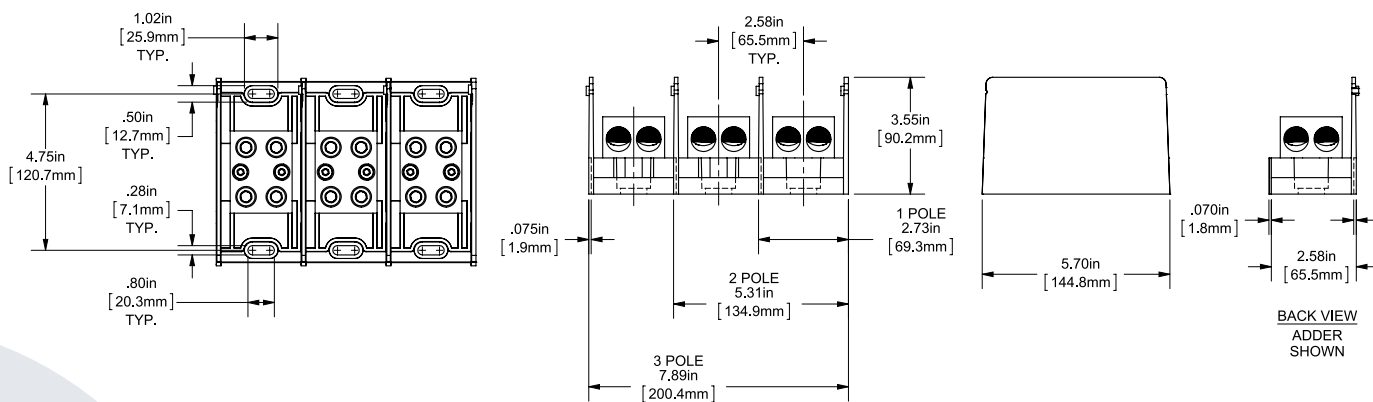
### Miniature (MPDB63133 shown for reference)



### Intermediate (MPDB67563 shown for reference)



### Large (MPDB69123 shown for reference)



# MPDB62 and MPDB63 Open-Style PDBs

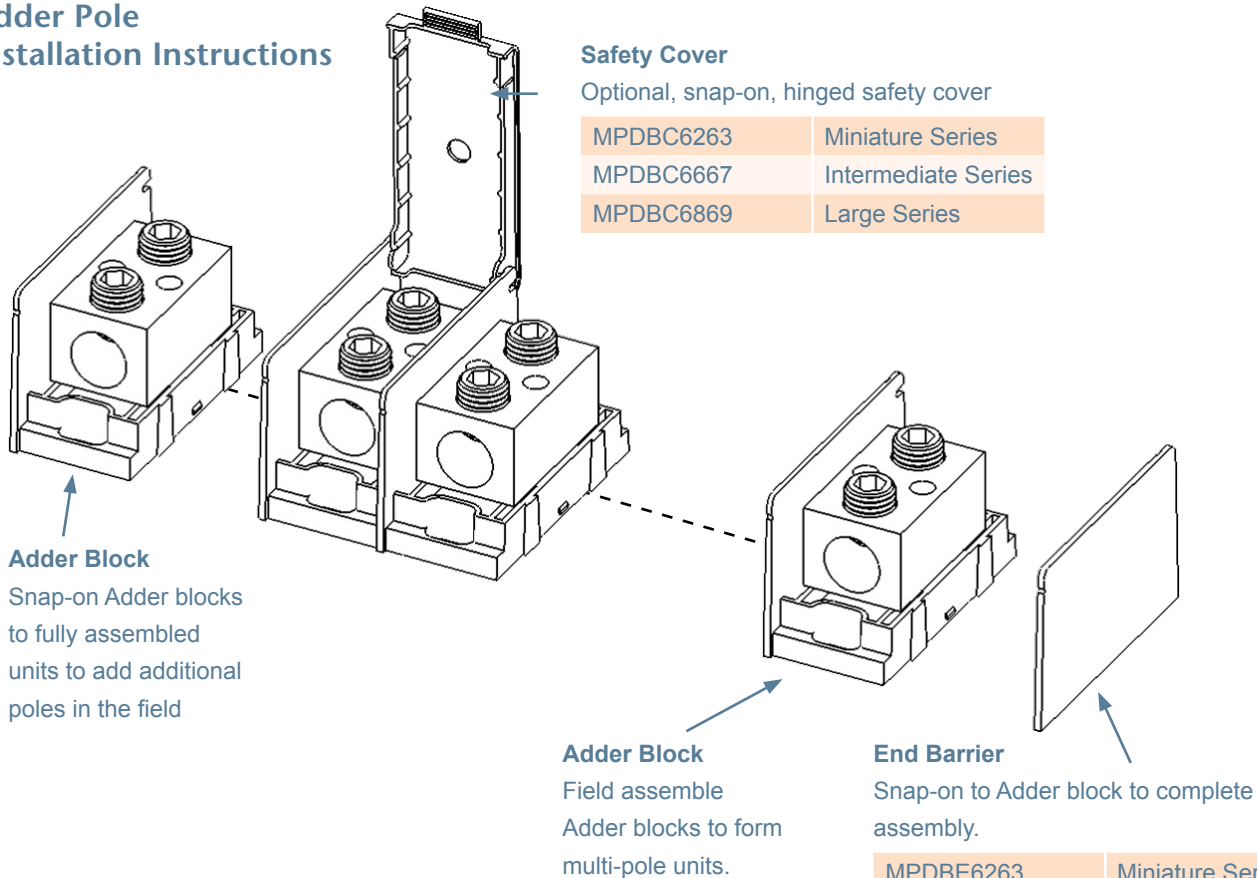
## Catalog Numbers (Miniature)

Line		Load		Catalog Numbers - Aluminum				Catalog Numbers - Copper				Amp Rating per Pole	
Wire Range	Openings per Pole	Wire Range	Openings per Pole	Number of Poles				Number of Poles				Al Wire	Cu Wire
				ADDER	1-P	2-P	3-P	ADDER	1-P	2-P	3-P		
<b>Box-Box Configuration</b>													
4 - 14	1	4 - 14	1	MPDB63100	MPDB63101	MPDB63102	MPDB63103	MPDB62100	MPDB62101	MPDB62102	MPDB62103	65	85
			4	MPDB63160	MPDB63161	MPDB63162	MPDB63163	MPDB62160	MPDB62161	MPDB62162	MPDB62163		
2/0 - 14	1	2/0 - 14	1	MPDB63150	MPDB63151	MPDB63152	MPDB63153	MPDB62150	MPDB62151	MPDB62152	MPDB62153	135	175
		2 - 14	2	MPDB63190	MPDB63191	MPDB63192	MPDB63193	MPDB62190	MPDB62191	MPDB62192	MPDB62193		
		4 - 14	4	MPDB63130	MPDB63131	MPDB63132	MPDB63133	MPDB62130	MPDB62131	MPDB62132	MPDB62133		
<b>Box-Stud Configuration</b>													
2/0 - 14	1	1/4-20 x 5/8	1	MPDB63140	MPDB63141	MPDB63142	MPDB63143	-	-	-	-	135	175
<b>Stud-Stud Configuration</b>													
1/4-20 x 5/8	1	1/4-20 x 5/8	1	-	-	-	-	MPDB62200	MPDB62201	MPDB62202	MPDB62203	240	240

Hinged Safety Cover for MPDB62 and MPDB63 series: Catalog number **MPDBC6263**

End Barrier for MPDB62 and MPDB63 series: Catalog Number **MPDBE6263**

## Adder Pole Installation Instructions



# MPDB66 and MPDB67 Open-Style PDBs

## Catalog Numbers (Intermediate)

Line		Load		Catalog Numbers - Aluminum				Catalog Numbers - Copper				Amp Rating per Pole	
Wire Range	Openings per Pole	Wire Range	Openings per Pole	Number of Poles				Number of Poles				Al Wire	Cu Wire
				ADDER	1-P	2-P	3-P	ADDER	1-P	2-P	3-P		
<b>Box-Box Configuration</b>													
2/0 - 14	1	2/0 - 14	1	MPDB67050	MPDB67051	MPDB67052	MPDB67053	MPDB66050	MPDB66051	MPDB66052	MPDB66053	135	175
		2 - 14	4	MPDB67570	MPDB67571	MPDB67572	MPDB67573	MPDB66570	MPDB66571	MPDB66572	MPDB66573		
		2 - 14	6	MPDB67560	MPDB67561	MPDB67562	MPDB67563	MPDB66560	MPDB66561	MPDB66562	MPDB66563		
		2 - 14	8	MPDB67580	MPDB67581	MPDB67582	MPDB67583	MPDB66580	MPDB66581	MPDB66582	MPDB66583		
		6 - 14	10	MPDB67590	MPDB67591	MPDB67592	MPDB67593	MPDB66590	MPDB66591	MPDB66592	MPDB66593		
		10 - 14	12	MPDB67110	MPDB67111	MPDB67112	MPDB67113	MPDB66110	MPDB66111	MPDB66112	MPDB66113		
350 - 6	1	350 - 6	1	MPDB67000	MPDB67001	MPDB67002	MPDB67003	MPDB66000	MPDB66001	MPDB66002	MPDB66003	250	310
		2/0 - 14	2	MPDB67010	MPDB67011	MPDB67012	MPDB67013	MPDB66010	MPDB66011	MPDB66012	MPDB66013		
		2 - 14	4	MPDB67670	MPDB67671	MPDB67672	MPDB67673	MPDB66670	MPDB66671	MPDB66672	MPDB66673		
		2 - 14	6	MPDB67660	MPDB67661	MPDB67662	MPDB67663	MPDB66660	MPDB66661	MPDB66662	MPDB66663		
		2 - 14	8	MPDB67630	MPDB67631	MPDB67632	MPDB67633	MPDB66630	MPDB66631	MPDB66632	MPDB66633		
		6 - 14	10	MPDB67650	MPDB67651	MPDB67652	MPDB67653	MPDB66650	MPDB66651	MPDB66652	MPDB66653		
500 - 4	1	500 - 4	1	MPDB67400	MPDB67401	MPDB67402	MPDB67403	MPDB66400	MPDB66401	MPDB66402	MPDB66403	310	380
		350-6 & 2-14	1 & 3	MPDB67450	MPDB67451	MPDB67452	MPDB67453	MPDB66450	MPDB66451	MPDB66452	MPDB66453		
		4/0 - 10	2	MPDB67420	MPDB67421	MPDB67422	MPDB67423	-	-	-	-		
		2/0 - 14	4	MPDB67410	MPDB67411	MPDB67412	MPDB67413	MPDB66410	MPDB66411	MPDB66412	MPDB66413		
		2 - 14	6	MPDB67460	MPDB67461	MPDB67462	MPDB67463	MPDB66460	MPDB66461	MPDB66462	MPDB66463		
		2 - 14	8	MPDB67430	MPDB67431	MPDB67432	MPDB67433	-	-	-	-		
		6 - 14	10	MPDB67480	MPDB67481	MPDB67482	MPDB67483	-	-	-	-		
2/0 - 14	2	10-14	18	MPDB67490	MPDB67491	MPDB67492	MPDB67493	MPDB66490	MPDB66491	MPDB66492	MPDB66493	270	350
		2/0 - 14	2	MPDB67020	MPDB67021	MPDB67022	MPDB67023	MPDB66020	MPDB66021	MPDB66022	MPDB66023		
		2 - 14	6	MPDB67510	MPDB67511	MPDB67512	MPDB67513	MPDB66510	MPDB66511	MPDB66512	MPDB66513		
		2 - 14	8	MPDB67610	MPDB67611	MPDB67612	MPDB67613	MPDB66610	MPDB66611	MPDB66612	MPDB66613		
		6 - 14	10	MPDB67530	MPDB67531	MPDB67532	MPDB67533	MPDB66530	MPDB66531	MPDB66532	MPDB66533		
4/0 - 6	2	10 - 14	15	MPDB67550	MPDB67551	MPDB67552	MPDB67553	MPDB66550	MPDB66551	MPDB66552	MPDB66553	360	460
		4/0 - 10	2	MPDB67520	MPDB67521	MPDB67522	MPDB67523	MPDB66520	MPDB66521	MPDB66522	MPDB66523		
2 - 14	6	MPDB67540	MPDB67541	MPDB67542	MPDB67543	MPDB66540	MPDB66541	MPDB66542	MPDB66543				
<b>Box-Stud Configuration</b>													
350 - 6	1	3/8-16 x 1-1/16	1	MPDB67250	MPDB67251	MPDB67252	MPDB67253	-	-	-	-	250	310
500 - 4	1	3/8-16 x 1-1/16	1	MPDB67220	MPDB67221	MPDB67222	MPDB67223	-	-	-	-	310	380
<b>Stud-Stud Configuration</b>													
1/4-20 x 1-5/16	1	1/4-20 x 1-5/16	1	-	-	-	-	MPDB66270	MPDB66271	MPDB66272	MPDB66273	155	155
		3/8-16 x 1-1/8	1	-	-	-	-	MPDB66200	MPDB66201	MPDB66202	MPDB66203		
3/8-16 x 1-1/8	1	1/4-20 x 1-5/16	2	-	-	-	-	MPDB66230	MPDB66231	MPDB66232	MPDB66233	400	400
		3/8-16 x 1-1/8	1	-	-	-	-	MPDB66260	MPDB66261	MPDB66262	MPDB66263		

Hinged Safety Cover for MPDB66 and MPDB67 series: Catalog number **MPDBC6667**

End Barrier for MPDB66 and MPDB67 series: Catalog Number **MPDBE6667**

# MPDB68 and MPDB69 Open-Style PDBs

## Catalog Numbers (Large)

Line		Load		Catalog Numbers - Aluminum				Catalog Numbers - Copper				Amp Rating per Pole	
Wire Range	Openings per Pole	Wire Range	Openings per Pole	Number of Poles				Number of Poles				Al Wire	Cu Wire
				ADDER	1-P	2-P	3-P	ADDER	1-P	2-P	3-P		
<b>Box-Box Configuration</b>													
350 - 6	1	2/0 - 14	6	MPDB69170	MPDB69171	MPDB69172	MPDB69173	-	-	-	-	250	310
		4 - 14	12	MPDB69150	MPDB69151	MPDB69152	MPDB69153	MPDB68150	MPDB68151	MPDB68152	MPDB68153		
500 - 4	1	500 - 4	1	MPDB69050	MPDB69051	MPDB69052	MPDB69053	-	-	-	-	310	380
		350 - 6	2	MPDB69060	MPDB69061	MPDB69062	MPDB69063	MPDB68060	MPDB68061	MPDB68062	MPDB68063		
		4/0 - 6	4	MPDB69510	MPDB69511	MPDB69512	MPDB69513	-	-	-	-		
		2/0 - 14	6	MPDB69070	MPDB69071	MPDB69072	MPDB69073	-	-	-	-		
600 - 2	1	4 - 14	12	MPDB69080	MPDB69081	MPDB69082	MPDB69083	-	-	-	-	340	420
		600 - 2	1	MPDB69640	MPDB69641	MPDB69642	MPDB69643	-	-	-	-		
1000 - 250	1	1000 - 250	1	MPDB69000	MPDB69001	MPDB69002	MPDB69003	-	-	-	-	445	545
		500 - 4	2	MPDB69010	MPDB69011	MPDB69012	MPDB69013	-	-	-	-		
		350 - 6	2	MPDB69020	MPDB69021	MPDB69022	MPDB69023	-	-	-	-		
		2/0 - 14	6	MPDB69030	MPDB69031	MPDB69032	MPDB69033	-	-	-	-		
4 - 14	12	MPDB69040	MPDB69041	MPDB69042	MPDB69043	-	-	-	-	130	170		
4 - 14	2	MPDB69180	MPDB69181	MPDB69182	MPDB69183	-	-	-	-				
2/0 - 14	2	4 - 14	12	MPDB69160	MPDB69161	MPDB69162	MPDB69163	MPDB68160	MPDB68161	MPDB68162	MPDB68163	270	350
		10 - 14	20	MPDB69600	MPDB69601	MPDB69602	MPDB69603	-	-	-	-		
350 - 6	2	350 - 6	2	MPDB69120	MPDB69121	MPDB69122	MPDB69123	MPDB68120	MPDB68121	MPDB68122	MPDB68123	500	620
		4/0 - 10	4	-	-	-	-	MPDB68320	MPDB68321	MPDB68322	MPDB68323		
		2/0 - 14	6	MPDB69130	MPDB69131	MPDB69132	MPDB69133	MPDB68130	MPDB68131	MPDB68132	MPDB68133		
		4 - 14	12	MPDB69140	MPDB69141	MPDB69142	MPDB69143	MPDB68140	MPDB68141	MPDB68142	MPDB68143		
500 - 4	2	500 - 4	2	MPDB69090	MPDB69091	MPDB69092	MPDB69093	MPDB68090	MPDB68091	MPDB68092	MPDB68093	620	760
		4/0 - 6	4	MPDB69310	MPDB69311	MPDB69312	MPDB69313	-	-	-	-		
		4/0 - 10	4	-	-	-	-	MPDB68310	MPDB68311	MPDB68312	MPDB68313		
		2/0 - 14	6	MPDB69100	MPDB69101	MPDB69102	MPDB69103	MPDB68100	MPDB68101	MPDB68102	MPDB68103		
		2/0 - 14	8	MPDB69350	MPDB69351	MPDB69352	MPDB69353	-	-	-	-		
600 - 2	2	4 - 14	12	MPDB69110	MPDB69111	MPDB69112	MPDB69113	MPDB68110	MPDB68111	MPDB68112	MPDB68113	680	840
		600 - 2	2	MPDB69650	MPDB69651	MPDB69652	MPDB69653	-	-	-	-		
		4-14 & 3/0-10	4 & 4	MPDB69540	MPDB69541	MPDB69542	MPDB69543	-	-	-	-		
<b>Box-Stud Configuration</b>													
500 - 4	1	3/8-16 x 1	1	MPDB69210	MPDB69211	MPDB69212	MPDB69213	-	-	-	-	310	380
		3/8-16 x 1	2	MPDB69270	MPDB69271	MPDB69272	MPDB69273	-	-	-	-		
1000 - 250	1	1/2-13 x 1-3/16	1	MPDB69280	MPDB69281	MPDB69282	MPDB69283	-	-	-	-	445	545
1/2-13 x 1	1	4 - 14	12	-	-	-	-	MPDB68290	MPDB68291	MPDB68292	MPDB68293	1000	1000
500 - 4	2	3/8-16 x 1	2	MPDB69230	MPDB69231	MPDB69232	MPDB69233	-	-	-	-	620	760
<b>Stud-Stud Configuration</b>													
1/2-13 x 1-3/8	1	1/2-13 x 1-3/8	1	-	-	-	-	MPDB68220	MPDB68221	MPDB68222	MPDB68223	400	400

Hinged Safety Cover for MPDB68 and MPDB69 series: Catalog number **MPDBC6869**

End Barrier for MPDB68 and MPDB69 series: Catalog Number **MPDBE6869**



# MPDB Double-Wide Open-Style PDBs

The MPDB double-wide series are designed for custom applications where large ampacities are required. Double-wide blocks are not UL or CSA certified unless otherwise noted. All double-wide blocks are Mersen self-certified and approved.

## Catalog Numbers (Double-Wide)

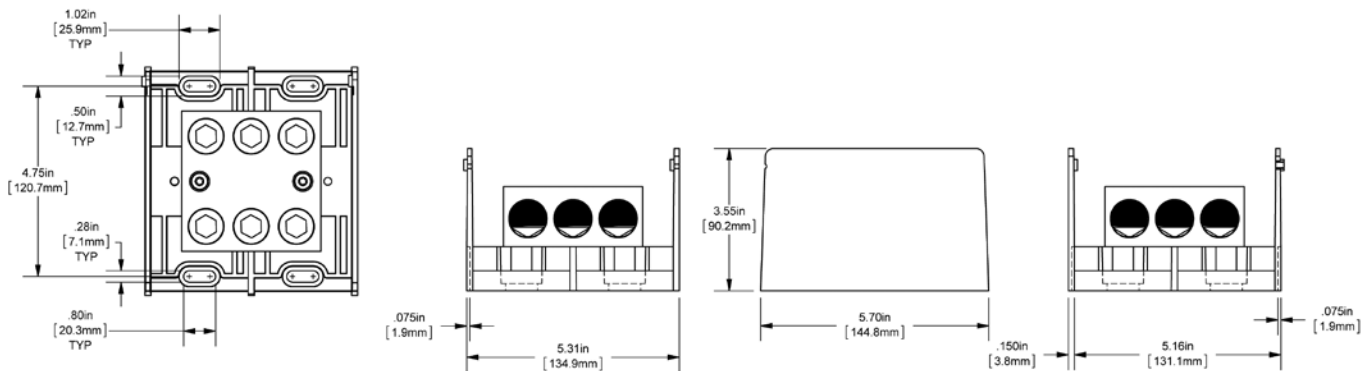
Wire Range	Line Openings per Pole	Wire Range	Load Openings per Pole	Aluminum Poles 1-P	Copper Poles 1-P	Amp Rating per Pole	
						Al Wire	Cu Wire
<b>Box-Box Configuration</b>							
1000 - 250	2	500 - 4	4	MPDB69561	-	890	1090
500 - 4	3	4/0 - 10	6	-	MPDB800011	930	1140
		2/0 - 14	8	MPDB900061	-		
600 - 2	3	600 - 2	3	MPDB69331	-	1020	1260
500 - 4	4	500 - 4	4	MPDB900071	MPDB800031		
		2/0 - 12	6	MPDB900121	MPDB800121		
		6-14 & 2/0-14	22 & 4	MPDB69521	-	1240	1520
600 - 2	4	600 - 2	4	MPDB69191	-		
				MPDB69341	-	1360	1680
500 - 4	7	500 - 4	7	-	MPDB800061*	2170	2660
<b>Box-Stud Configuration</b>							
500 - 4	4	3/8-16 x 1	4	MPDB900091	-	1240	1520

Hinged Safety Cover for Double-Wide MPDB series: Catalog number **MPDBC692W**

\* This block is triple-wide

## Dimensions:

Double-Wide (MPDB69331 shown for reference)



Triple-Wide (MPDB800061 shown for reference)

