

BNC ADAPTERS 50 OHMS IMPEDANCE—TFE INSULATION

Part Number	Adapter Ends	Dimensions, Inches					Construction Notes
		a	b	c	d	e	
STRAIGHT ADAPTERS							
31-218	Plug-Plug	1¼	9/16	—	—	—	—
31-219	Jack-Jack	1½	7/16	—	—	—	—
ANGLE ADAPTERS							
31-9	Jack-Plug	1	9/16	—	31/32	—	—
31-209	Jack-Plug	1½	9/16	—	57/64	—	Beryl. outer contact
31-2209	Jack-Plug	1½	9/16	—	57/64	—	Beryl. outer contact
PANEL ADAPTERS							
47000*	Jack-Jack	1½	1¼	19/32	—	.250	3-56 tapped flange holes

Note: Mtg. Hole, § is Y and * is E.

BNC ADAPTERS 50 OHMS IMPEDANCE—TFE INSULATION

Part Number	Adapter Ends	Dimensions, Inches					Construction Notes
		a	b	c	d	e	
BULKHEAD ADAPTERS							
31-220 §	Jack-Jack	1½	1¼	49/64	—	.187	Pressurized/glass-TFE insul./internal lockwasher teeth
31-3220 §	Jack-Jack	1½	1¼	49/64	—	.281	Pressurized/glass-TFE insul./external lockwasher teeth/thick panel
31-4803 §	Jack-Jack	1.28	.625	.469	—	.187	Isolated from panel/White Molded Thermoplastic Insulation
TEE ADAPTERS							
31-8	Jack-Plug-Jack	1½	9/16	—	1½	—	—
31-208	Jack-Plug-Jack	1½	9/16	—	1¼	—	Beryl. outer contact
21900	Plug-Jack-Jack	1½	¾	—	1	—	—

Note: Mtg. Hole, § is Y and * is E.



PRECISION 75 OHM BNC CONNECTORS FOR ANALOG AND DIGITAL CIRCUITS

Designed for 75 ohm performance. These connectors match up perfectly with 75 ohm coaxial cables offering maximum signal through-put.

APPLICATIONS:

- High bandwidth video equipment
- NTSE broad band cabling
- D1/D2 serial digital
- Graphic workstations
- Telephony work stations

ECONOMY

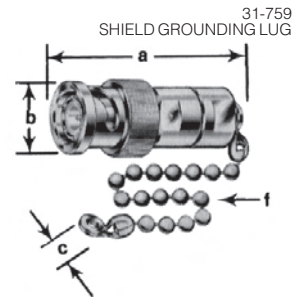
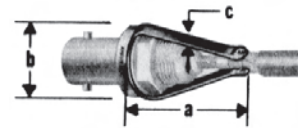
- Connectors are priced to compete with standard 50 ohm equivalents

75Ω CONNECTOR SPECIFICATIONS & FEATURES

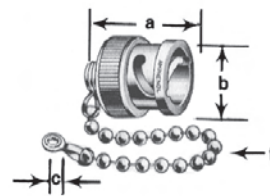
- Constant 75 ohm impedance
- Return loss <27dB insures low signal distortion
- Crimp-crimp termination
- Plugs have beryllium copper outer contact
- Teflon dielectric compensated for 75 ohm
- Gold plated captivated centre contacts

75Ω BNC CRIMP TYPE PLUGS

Cat. No.	Cable Type	Cable Cat. No.	Crimp Tool	Net Price
31-70000	RG-6 Type Serial Digital Coax	Belden 1694A, 1695A, 9284, 9290, 9114, 9248, 89248, 82248	CTL-8	\$13.02
31-70022	RG-59 Double Braided Type	Belden 8281, 8281B, 8281F, 9141, 9231, 88281, Clark CV752, AT&T 728	CTL-8	14.99
31-70008	RG-59 Type	RG-59, Belden 8221, 8241, 8241A, 8241F, 8263, 8279A, 9209, 9209A, 9244	CTL-6 or CTL-8	13.52
31-70008-1000	RG-59 Type with (20 AWG) Center Conductor	Belden 1505A, 1426A, 9659, 9259, 9240, 8212, 9274, 9275, 9100, AT&T 734A, Clark CV 7559	CTL-6 or CTL-8	13.41
31-70013-1000	RGB and SVHS Cables	Belden 8218, 1406A, 1164A, 1167A, 1418A, 1407A, 1417A, AT&T 735A, Clark CV 75SM	CTL-6	13.99



4700
RESISTOR TERMINATED
CAP



31-6
MALE CAP

BNC CAPS AND ACCESSORIES

Part Number	M39012 & Military Number	Dimensions, Inches				Description
		a	b	c	f	
RESISTOR TERMINATED CAPS						
MALE CONTACTS—WEATHERPROOF—TFE INSULATION						
4700-51	MX-554	1¼	9/16	.144	3½	Resolite insulation 51 ohm ½ watt resistor
46650-51	—	1½	9/16	—	—	51 ohm ½ watt resistor
ACCESSORIES						
NON-WEATHERPROOF SHIELD GROUNDING LUG						
31-759	—	29/32	3/64	1/8	—	used on front-mount receptacles

Note: Each BNC connector is considered to be weatherproof when used only in combination with other Amphenol BNC connectors described in this section.

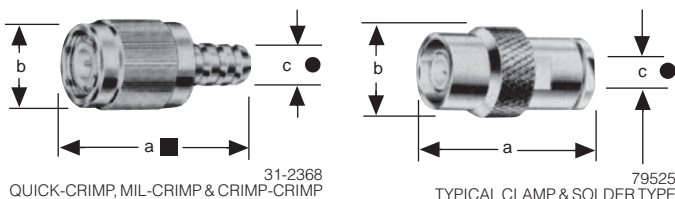
TNC CHARACTERISTICS

TNC Series were developed for aircraft, missile and other applications in which extreme vibration may be encountered. The TNC threaded coupling mechanism eliminates "rock" under vibration — a characteristic of bayonet coupled connectors such as BNC that introduces noise into the RF system and causes erratic performance. Other than coupling, TNC connectors are dimensionally and electrically similar to BNC, and have a constant impedance of 50 ohms.

SPECIFICATIONS:

ELECTRICAL:

Impedance: 50 ohm
Frequency range: 0-10 GHz
Voltage rating: 500 volts peak
Dielectric withstanding voltage: 1500 volts rms
SWR: Improved: 1.3 MIL-Crimps; Quick-Crimps: 1.25
 Orig.-Crimps: 1.3
Other: Contact resistance 2.1 mv.
 RF leakage: -55dB
 insertion loss: .04 dB
 insulation resistance: 5000 megohms



- Includes outer ferrule not shown on illustration
- Accommodates cable diameter

TNC THREADED COUPLING RF CONNECTORS (CONT'D.)

For Use With RG-/U	Cannot Be Used With	Part Number	Cable Termination	Dimension Inches			Construction Notes
				A	B	C	
STRAIGHT PLUGS							
MALE CONTACTS — WEATHERPROOF — 50 OHM IMPEDANCE — TFE INSULATION							
140, 210	71	31-2368	MIL-Crimp II	1 ¹ / ₃₂	9 ¹ / ₁₆	.261	—
141, 142, 223, 400	58, 141 —	31-2373 79875	MIL-Crimp II MIL-Clamp I	1 ¹ / ₃₂ 1 ¹ / ₁₆	9 ¹ / ₁₆ 1 ¹ / ₃₂	.220 .219	— spring brass outer contact
174, 188	—	31-2315	MIL-Crimp I	1.29	.562	.115	—
58, 141	—	31-2367	MIL-Crimp II	1 ¹ / ₃₂	9 ¹ / ₁₆	.206	—

Note: Each TNC connector is considered to be weatherproof when used only in combination with other Amphenol TNC connector described in this section.



TWINAX PLUG, ADAPTER AND RECEPTACLE TWINAX RF CONNECTORS

In response to the request of a large computer manufacturer, Amphenol has developed a new plug, receptacle and adapter for Belden 9207, or equal Twinaxial cable. This connector group has gained wide acceptance for terminating Twinaxial cables interconnecting the host computer system and peripheral displays, printers, etc.

Conductor polarization is maintained by the connector polarizing key and keyway design. Once correctly installed, the connectors prevent accidental polarity reversal when mated.

SPECIFICATIONS:

ELECTRICAL:

Impedance: 95 ohms
Frequency range: 0-200 MHz, usable to 500 MHz.
Voltage rating: 500 Volts peak

TWINAX PLUG, ADAPTER AND RECEPTACLE KEYWAY POLARIZATION—COPOLYMER OF STYRENE OR EQUAL INSULATION—NON-WEATHERPROOF 0-200 MHz. USABLE TO 500 MHz. FREQUENCY RANGE—MATES WITH IBM EQUIPMENT—95 OHMS NOM. IMPEDANCE

Used with Cable #	Part Number	Dimensions Inches		Cable Termination	Notes
		a	b		
TWINAX PLUG MALE CONTACTS					
Belden 9207 (YR15662)	82-5589	1 ⁴⁹ / ₆₄	7 ¹ / ₈	Screw thread nut braid clamp	Brass, silver plated
	82-5589-RFX				Gold plated
TWINAX RECEPTACLE FEMALE CONTACTS					
—	82-5590-RFX	1 ³⁹ / ₆₄	1 ⁵ / ₁₆	—	Gold plated
TWINAX ADAPTER FEMALE-FEMALE CONTACTS					
—	82-5588	1 ³ / ₆₄	3 ¹ / ₄	—	Beryllium copper, silver plated contacts
	82-5588-RFX				Gold plated
TWINAX REPLACEMENT MALE CONTACTS					
—	82-10588	One bag of 50 ea. Male Contacts			

Note: 82-5590—Mtg. Hole Y.

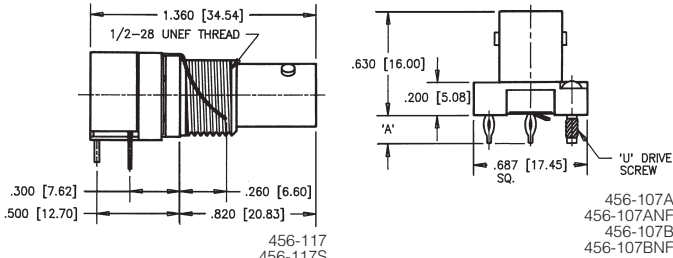
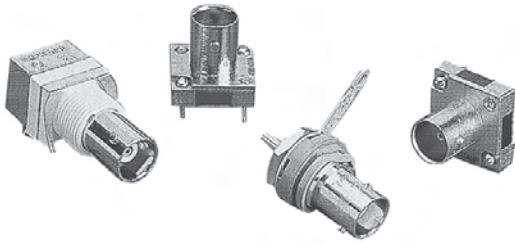
TWIN COAXIAL CONNECTORS CHARACTERISTICS

Amphenol TWIN CONTACT connectors are used with RG-78 and 95 ohm twin conductor cables. Three dissimilar constructions are available: contact polarization, keyway polarization, and UHF-type non-polarized. The latter two types have threaded coupling; the contact polarized connectors have BNC-type 2-stud bayonet coupling.

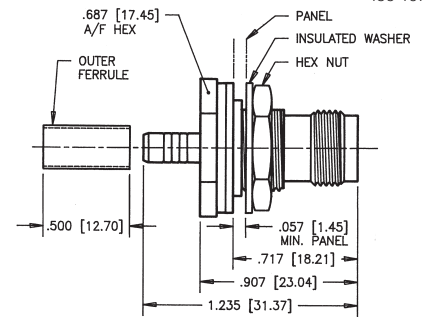
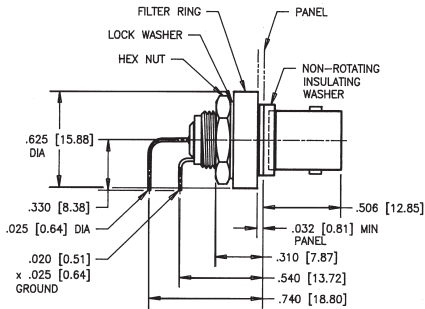
SPECIFICATIONS:

ELECTRICAL:

Impedance: Used with 78 ohm and 95 ohm twin conductor cables.
Frequency Range: Keyway polarization and non-polarized: 0-200 mc, 0-500 mc with caution. Contact polarization: 0-100 mc.
Voltage Rating: Keyway polarization and non-polarized: 500 volts peak. Contact polarization: 100 volts peak.



456-107A
456-107ANF
456-107B
456-107BNF



456-107

456-102

Amphenol's 456 Series of RF connectors provides capacitive decoupling between the connector body and the mounting panel. EMI on the coaxial shield is shunted to the chassis ground through capacitors, while not affecting the DC and power supply frequencies. This reduces ground loop problems and provides a mechanism to harmlessly dissipate ESD to chassis ground.

The RF parameters of these connectors are the same as their non-filtered counterparts. Filtering does not affect the signal contact, but only the shell-to-ground connection. Capacitively decoupled RF connectors are interchangeable and interchangeable with standard non-filtered versions. UL & CSA approved.

Mechanical Data:
Shell: Zinc Diecast or Brass; Nickel plated
Insulator Body: Thermoplastic
Contact Insulator: Noryl or Teflon
Center Contact: Phosphor Bronze or Beryllium Copper; Gold plated (456-107S is silver plated)

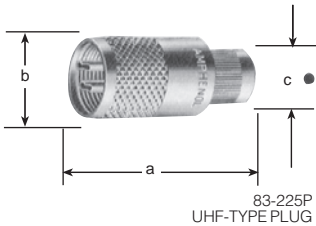
FILTER PERFORMANCE

Capacitance	10,000 pF	
Working Voltage	200 VDC	
DVV	600 VDC (1000VDC for Rear Mt)	
Filter Insertion Loss (dB) (per MIL-STD-220 @ 25°C and no load)	1 MHz	4
	5 MHz	16
	10 MHz	18
	30 MHz	25
	50 MHz	30
	1000 MHz	30

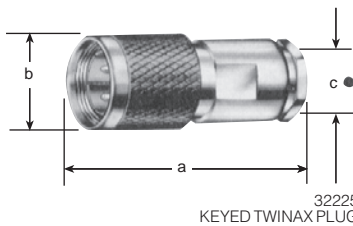
456 CAPACITIVELY DECOUPLED RF CONNECTORS

Cat. No.	Type	Description	Net Price
50Ω			
456-102	Filtered	TNC Bulkhead Jack Crimp (RG58/U Cable)	\$47.27
456-117	Filtered	Rear Mount BNC, Right Angle PCB	12.13
456-117S	Filtered (5000pF), 1000V Spark Gap		15.58
456-117F	Filtered (5000pF), 1000V Spark 1MΩ Resistor		17.35
456-117G	Grounded		11.61
456-117NF	Non-Filtered Panel Insulated (No Ground Spring)		10.64
456-107	Filtered	Front Mount BNC, Right Angle PCB	24.50
456-107ANF*	Non-Filtered	Vertical Mount BNC, Press-Fit	24.34
456-107B	Filtered		26.02
456-107BNF	Non-Filtered		24.34

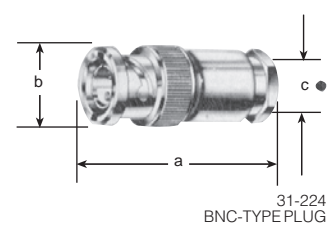
NOTE: * = Board Thickness = .125 (3.18) = Board Thickness = .200 (5.08)



83-225P
UHF-TYPE PLUG



32225
KEYED TWINAX PLUG

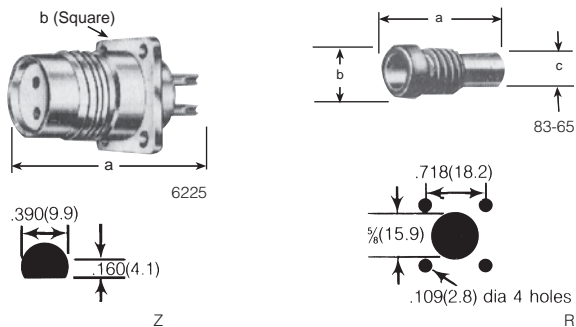


31-224
BNC-TYPE PLUG

TWIN PLUGS NON-CONSTANT IMPEDANCE WEATHERPROOF COPOLYMER OF STYRENE INSULATION STRAIGHT PLUGS

Cable RG-/J	Part Number	Mating & Polarization Degrees From Key	Dimensions, Inches			Construction Notes
			a	b	c	
22, 22A, 22B	32225	Keyed 90	1 1/4	7/8	.444	V-groove Clamp
	31-224	BNC Polarized Contact	1 1/32	9/16	.256	1 Male, 1 Female
	31-2226	BNC Polarized Contacts	1.16	.563	.255	1 Male, 1 Female
Belden 9207	82-5589	Polarizing Key & Keyway	2"	3/4	.375	Keyed Polarity

Note: Each TWIN connector is considered to be weatherproof when used only in combination with other Amphenol TWIN connectors in this section.



**TWIN RECEPTACLES, ADAPTERS AND ACCESSORIES
WEATHERPROOF—NON-CONSTANT IMPEDANCE—COPOLYMER OF
STYRENE INSULATION**

Part Number	Military Number	Mating & Polarization Degrees from Key	Dimension, Inches			Mtg. Hole
			a	b	e	
BULKHEAD RECEPTACLES FRONT MOUNTED						
31-2225	—	BNC Polarized Contact	1 1/2	1/2	.106	Z
PANEL RECEPTACLES TWIN FEMALE CONTACTS—.125" DIA. FLANGE HOLES						
6225	UG-422	Keyed 90	1 3/16	1	—	R

SERIES UHF CONNECTORS

Series UHF are low, general purpose connectors for use in a wide variety of lower frequency applications (up to 300 MHz) where constant impedance is not necessarily required. They have a peak voltage rating of 500 Volts. While most UHF connectors have conventional solder-type cable affixments, Quick-Crimp UHF feature Amphenol's patented hex crimp design which permits faster, easier and more reliable assembly.

UHF COAXIAL CONNECTORS

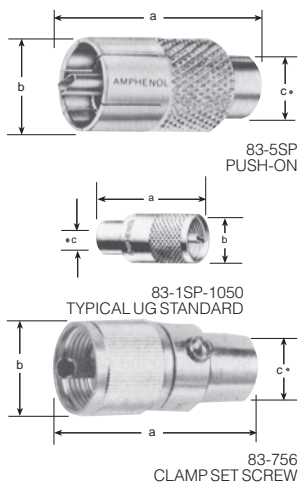
Note: ASTROplate is corrosion and abrasion resistant; eliminates discoloration problems. Mates safely with silver, no galvanic reaction; is equally solderable. Electro Sonic stocks most of the popular RF connectors in Amphenol's exclusive, non-tarnish ASTROplate finish.

CHARACTERISTICS:

ELECTRICAL:

Impedance:
Frequency Range:
Voltage Rating:

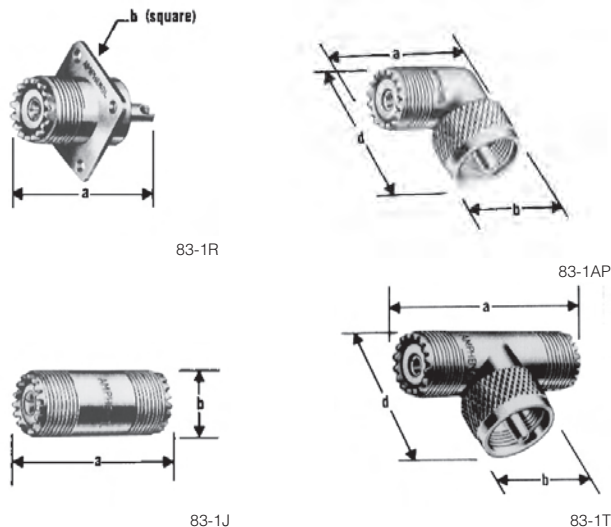
Non-constant
0-300 MHz
500 volts peak



UHF COAXIAL CONNECTORS STRAIGHT PLUGS NON-CONSTANT IMPEDANCE—MALE CONTACTS—NON- WEATHERPROOF—MICA-FILLED PHENOLIC INSULATION OR EQUAL

For Use With RG-/U	Part Number	Dimensions, Inches			Cable Termination	Construction Notes
		A	B	C		
8, 9, 11, 13, 63, 87, 149, 213, 214, 216, 225	83-1SP-1050	1 1/2	3/4	.444	UG Standard	—
	83-822	1 1/2	1 1/16	.437	UG Standard	TFE Insulation
	83-1SP-15RFX	1 1/16	13/16	.450	UG Standard	Phenolic
58	83-58-FCP-RFX	1 1/16	3/4	—	FCP Clamp	Slotted Ferrule
58, 141	83-58SP	1 1/16	3/4	.206	Braid Crimp	Solder Contact
59, 62, 71, 140, 210	83-750	1 1/16	25/32	.257	UG Standard	—
ANGLE PLUGS						
8, 9, 11, 13, 63, 87, 149, 213, 214, 215, 225	83-67	1 1/2	3/4	.444	UG Standard	TFE Insulation
	83-59					

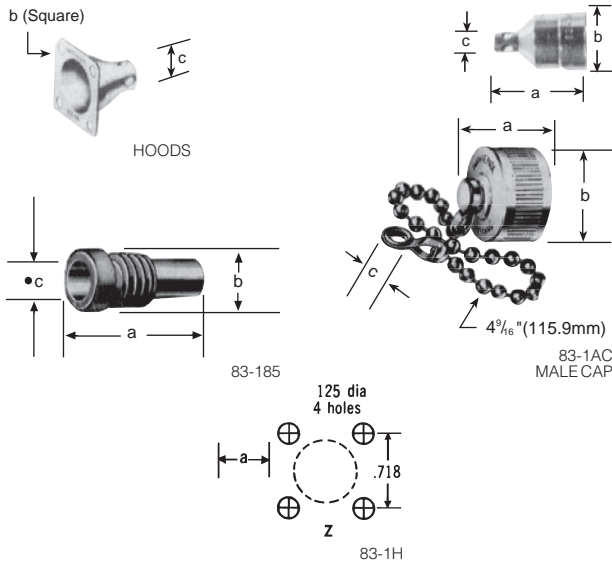
Note: Each UHF connector is considered to be weatherproof when used only in combination with other UHF connectors described in this section. Dimension D for 83-67 and 83-59 is 1 3/64".



UHF COAXIAL CONNECTORS

Part Number	Dimensions			Mtg. Hole	Description
	a	b	e		
PANEL RECEPTACLES .125" DIA. FLANGE HOLES—FEMALE CONTACTS—MICA FILLED PHENOLIC INSULATION					
83-1R	1 1/16	1	—	X	Standard Type
83-798	1 1/16	1	—	X	TFE Insulation
BULKHEAD RECEPTACLES FEMALE CONTACTS					
83-878	1 1/16	3/4	.093	V	Rear Mount/Mica-Filled Phenolic Insulation
ADAPTERS POLYSTYRENE INSULATION					
83-1J	1 1/2	5/8	—	—	Straight/Jack-Jack
83-1F	2	5/8	.990	4 1/8 dia.	Bulkhead/Jack-Jack
83-1AP	1 3/2	3/4	—	—	Angle/Jack-Plug
83-1T	1 1/2	3/4	—	—	Tee/Jack-Plug-Jack

Note: Dimension D for 83-1AP is 1 1/16" and for 83-1T is 1 1/16".

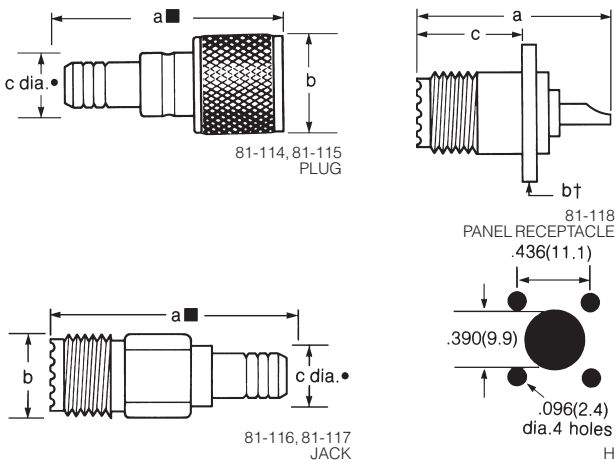


UHF ADAPTERS AND ACCESSORIES

Part Number	Dimensions			Description
	a	b	c	
REDUCING ADAPTERS NON-WEATHERPROOF—FOR P/N 83-1SP, 83-59, 83-67, 83-750, 83-822.				
83-185	1	7/16	.209	RG-55, 58, 141, 142 Cable (Except 55A)
83-185-RFX				
83-168	1	7/16	.257	RG-59, 62, 71, 140, 210 Cable
83-168-RFX				
HOODS NON-WEATHERPROOF—FOR USE WITH CABLES INDICATED AND PANEL RECEPTACLES P/N 83-1R, 83-1RTY, 83-798.				
83-1H*	3/4	1	.345	RG-8, 10, 11, 12, 63, 79, 149, 213, 215 Cable
83-765*	3/4	1	.155	RG-58, 141 Cable

*Threaded for mtg. on bulkhead receptacles (P/N 4575 & 74525)

Note: Each UHF connector is considered to be weatherproof when used only in combination with other UHF connectors described in this section. * = Mtg. Hole Z.



MINI-UHF SERIES COAXIAL CONNECTORS

The mini-UHF connectors are a low cost 50 ohm nominal impedance unit designed to operate up to 50 GHz. They have a working voltage rating of 335 VRMS, a dielectric V rating of 1000 VRMS and a minimum insulation resistance of 5,000 meg ohms.

Cable RG-/U	Part Number	Conn. Type	Cable Attachment		Dimensions Inches		
			Outer	Inner	a ■	b	c ●
59	81-182-RFX	Jack	Crimp	Crimp	1.24	.375	.260
	81-181-RFX	Plug	Crimp	Crimp	1.14	.453	.260
58/U, 58/BU	81-196-RFX	Plug	Crimp	Crimp	1.14	.453	.210
58	81-115N-1000	Plug	Crimp	Crimp	1.14	.447	.206
	81-115BK-1000	Plug	Crimp	Crimp	1.14	.447	.206
	81-116	Jack	Crimp	Crimp	1.17	.375	.206
	81-183-RFX	Jack	Crimp	Crimp	—	—	—
Belden 9258 8X Type	81-114-RFX	Plug	Crimp	Crimp	1.21	.447	.256

NOTE: ● Accommodates cable diameter. ■ Includes outer ferrule.

MINI UHF RECEPTACLES

Connector Type	Part Number	Dimensions Inches		
		a	b	c
Panel Receptacle (J)	81-118-1001	.925	.625	.487
Bulkhead Receptacle (J)	81-120	.901	.500	.630
PCB Angle Bulkhead Receptacle (J)	81-119-1007	1.13	.598	.575

N COAXIAL CONNECTORS

SPECIFICATIONS:

ELECTRICAL:

Impedance:

As noted, 50 or 70 ohms.

Frequency Range:

0-11 GHz.

Voltage Rating:

1,500 Volts Peak

Dielectric Withstanding Voltage:

2,500 Volts RMS.

VSWR (MIL-C-39012 Cable)

1.3 Max. 0-11 GHz.

Connectors:

Contact Resistance: center contact 1.0 milliohm

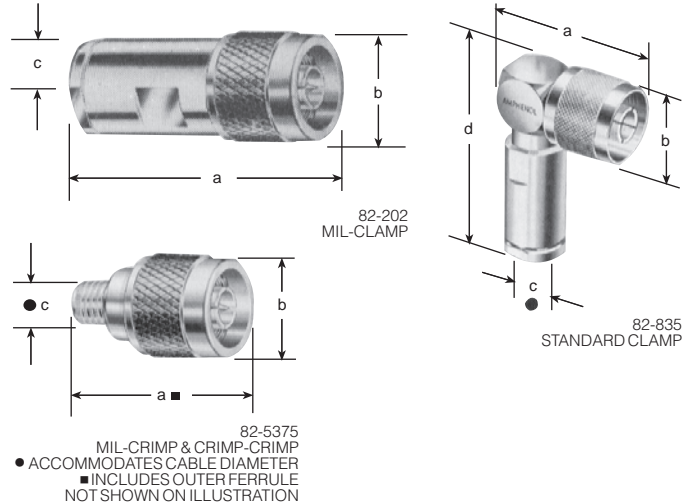
outer contact 0.2 milliohm

braid to body .05 milliohm

RF leakage: -90 dB minimum at 3 GHz

Insertion loss: 15 dB maximum at 10 GHz

Insulation resistance: 5000 megohms minimum

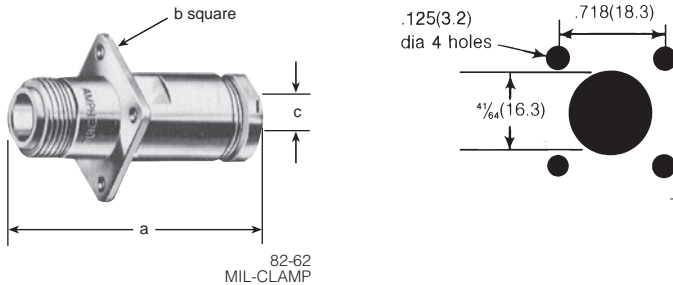


Continued on next page....

N COAXIAL CONNECTORS

For Use With RG-/U Cable	Part Number	Cable Termination	Dimensions, Inches			Construction Notes
			a	b	c	
N STRAIGHT PLUGS MALE CONTACTS—WEATHERPROOF—50 OHM IMPEDANCE— TFE INSULATION						
8, 213	82-340	Crimp	2	.827	.418	—
9, 214	82-332	Crimp	2	.827	.438	—
8, 9, 213, 214, 225	82-61	Mil-Clamp I	1½	1 ⁹ / ₁₆	.444	—
	82-202	Mil-Clamp I	1½	2 ⁵ / ₃₂	.444	Safety Wiring
	82-3202	Mil-Clamp I	1½	1 ⁹ / ₁₆	.444	Safety Wiring
	82-312	C.C. Clamp	1½	2 ⁵ / ₃₂	.444	Captivated Contact
	82-3312	C.C. Clamp	1½	2 ⁵ / ₃₂	.444	Captivated Contact
55, 142, 223	82-5370	Mil-Crimp I	1.48	.813	.220	—
58, 141	82-5375	Mil-Crimp I	1 ³ / ₄	1 ⁹ / ₁₆	.206	—
58, 141, 142	34025	Mil-Clamp I	1¾	1 ⁹ / ₁₆	.214	—
N ANGLE PLUGS MALE CONTACTS—WEATHERPROOF—50 OHM IMPEDANCE— TFE INSULATION						
58, 141, 142	18750	Std-Clamp	1.63	.813	.210	—

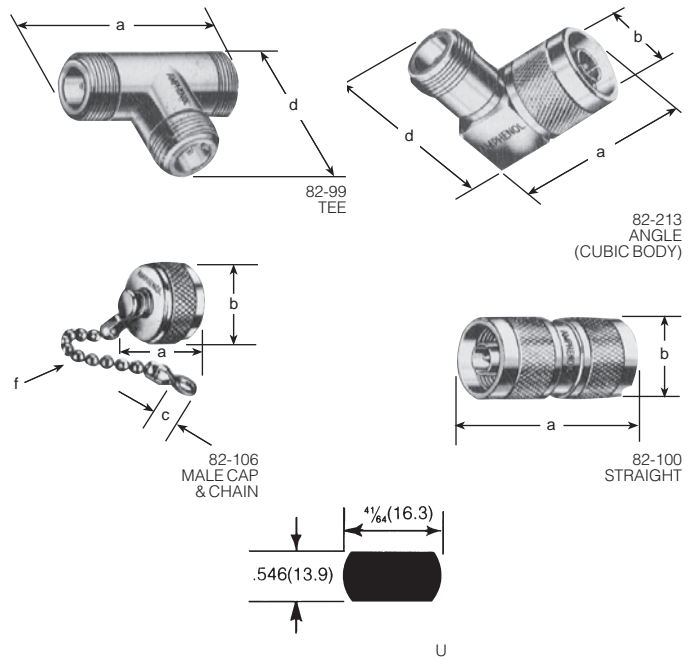
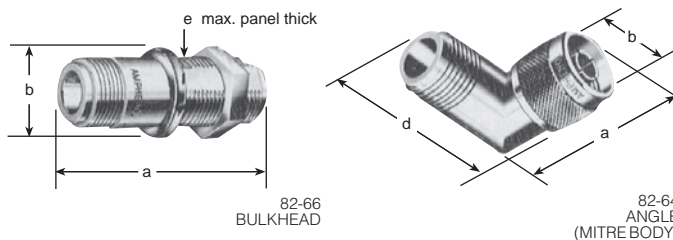
Note: Dimension D on 82-835 is 1¾".



N COAXIAL CONNECTORS

For Use With RG-/U Cable	Part Number	Cable Termination	Dimensions, Inches		
			a	b	c
FEMALE CONTACTS—WEATHERPROOF—50 OHM IMPEDANCE— TFE INSULATION					
8, 9, 87, 213, 214, 225	82-63	Mil-Clamp I	1 ⁹ / ₁₆	¾	.440
	82-3209	Mil-Clamp I	1 ⁹ / ₁₆	¾	.444
N PANEL JACKS FEMALE CONTACTS—WEATHERPROOF—50 OHM IMPEDANCE—1.25" (3.2) DIA. FLANGE HOLES MOUNTING HOLE T—REAR MOUNT— TFE INSULATION					
8, 9, 97, 213, 214, 225	82-62	Mil-Clamp I	1 ⁹ / ₁₆	1	.440
55, 58, 141, 142, 223	36250	Mil-Clamp I	1½	1	.224
N BULKHEAD JACKS FEMALE CONTACTS—WEATHERPROOF—50 OHM IMPEDANCE— MOUNTING HOLE U—REAR MOUNT					
55, 58, 141, 142, 223	35275	Mil-Clamp I	1 ⁴³ / ₆₄	1 ⁹ / ₁₆	.224

Part Number	Dimensions Inches			Mtg. Hole	Construction Notes
	a	b	e		
PANEL RECEPTACLES WEATHERPROOF—1.25" FLANGE HOLES—FEMALE CONTACTS— 50 OHM IMPEDANCE—TFE INSULATION					
82-24	1 ⁷ / ₆₄	1	—	T	Standard Female
82-97	1 ⁷ / ₆₄	1	—	T	Standard Female

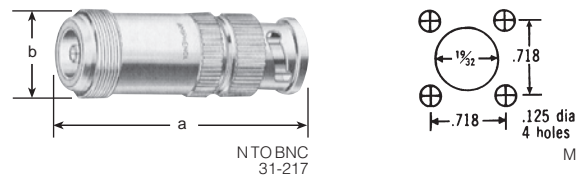


ADAPTERS

Part Number	Adapter Ends	Dimensions, Inches				Construction Notes
		a	b	d	e	
STRAIGHT						
82-65	Jack-Jack	1¼	2 ¹ / ₃₂	—	—	—
82-100	Plug-Plug	1 ¹⁹ / ₃₂	1 ³ / ₁₆	—	—	—
82-101	Jack-Jack	1¼	2 ¹ / ₃₂	—	—	—
ANGLE						
82-64	Jack-Plug	1 ¹ / ₁₆	1 ³ / ₁₆	1.37	—	Mitre Body
82-98	Jack-Plug	1 ¹⁹ / ₁₆	1 ³ / ₁₆	1.31	—	Mitre Body
82-213	Plug-Plug	1 ¹ / ₁₆	1 ³ / ₁₆	1.40	—	Cubic Body
BULKHEAD						
82-66	Jack-Jack	1¾	1 ³ / ₁₆	—	.312	Copolymer of Styrene Ins./Pressurized
TEE						
82-99	Jack-Jack-Jack	1¼	—	1 ⁷ / ₃₂	—	—
82-102	Jack-Plug-Jack	1¼	—	1 ³¹ / ₆₄	—	—

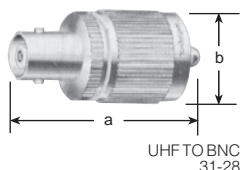
Note: 82-106 Dimensions F is ¾ and C is .144. Mtg. Hole for 82-66 and 91100 is U.

Between Series Adapters



BNC TO N WEATHERPROOF—TFE INSULATION

Adapter Ends	Part Number	Dimensions, Inches		Mtg. Hole	Description
		a	b		
BNC-Jack N-Plug	31-216	1 ⁹ / ₁₆	1 ³ / ₁₆	—	Straight
BNC-Plug N-Plug	5225	1½	1 ³ / ₁₆	—	Straight
BNC-Plug N-Jack	31-217	1 ⁹ / ₁₆	3 ⁹ / ₆₄	—	Straight



UHF TO BNC
31-28

BNC TO UHF WEATHERPROOF—TFE INSULATION

Adapter Ends	Part Number	Dimensions, Inches		Mtg. Hole	Description
		a	b		
BNC-Jack UHF-Plug	31-28	1 ¹ / ₁₆	2 ³ / ₃₂	—	Straight, Rex. Ins.
BNC-Plug UHF-Jack	2900*	1 ¹ / ₁₆	5/ ₁₆	—	Straight, Rex. Ins.

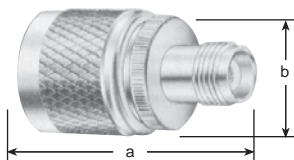
Note: *Impedance is 50 Ohms.

BNC TO TNC WEATHERPROOF—TFE INSULATION

Adapter Ends	Part Number	Dimensions, Inches		Description
		a	b	
BNC-Plug TNC-Jack	79025	1 ¹ / ₄	5/ ₁₆	Straight
BNC-Jack TNC-Plug	79675	1 ¹ / ₄	5/ ₁₆	Straight

N TO UHF WEATHERPROOF—TFE INSULATION

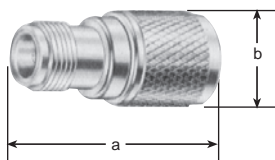
Adapter Ends	Part Number	Dimensions, Inches		Description
		a	b	
N-Plug UHF-Jack	4400	1 ¹³ / ₃₂	1 ³ / ₁₆	Straight/Copolymer of Styrene Ins. Non-weatherproof/ Non-constant Imp.
N-Jack UHF-Plug	14000	1 ¹ / ₁₆	3/ ₄	Straight/Copolymer of Styrene Ins. Non-constant Impedance.



N TO TNC
78800

N TO TNC WEATHERPROOF—TFE INSULATION

Adapter Ends	Part Number	Dimensions, Inches		Description
		a	b	
N-Plug TNC-Jack	78800	1 ¹ / ₁₆	1 ³ / ₁₆	Straight
N-Jack TNC-Plug	79825	1 ²³ / ₃₂	5/ ₁₆	Straight
N-Jack TNC Jack	78825			



HN-TO-N
16050

HN-TO-N WEATHERPROOF—TFE INSULATION

Adapter Ends	Part Number	Dimensions, Inches		Description
		a	b	
HN-Plug N-Jack	16050*	1 ¹ / ₁₆	7/ ₁₆	Straight
HN-Jack N-Plug	16075*	1 ¹ / ₁₆	1 ³ / ₁₆	Straight

Note: Each Amphenol connector is considered to be weatherproof when used only in combination with other mating Amphenol connectors described in this section. *Impedance *5, 50 Ohms.



BNC



75 OHM BNC



TNC



TYPEN



3/4-20 KEYED TWINAX



UHF



BETWEEN SERIES ADAPTERS

RFX™ COAXIAL CONNECTORS QUALITY

The RFX™ line of coaxial connectors is built to the same high quality control standards as every other Amphenol product.

PRICE

You can afford Amphenol quality for your application. The RFX line is at a price that's a lot less than you might think.

Cat. No.	UG Ref. Number	Type	Description	Net Price
34025-RFX	UG-536B/U	N	Plug RG-58 Clamp	\$12.64
46650-51RFX	—	BNC	Male Cap, RT 50Ω	4.74
46650-75RFX	—	BNC	Male Cap, RT 75Ω	4.70
46650-93RFX	—	BNC	Male Cap, RT 93Ω	5.78

31 SERIES

31-2-RFX	UG-88/U	BNC	Plug RG-58 Clamp	4.35
31-9-RFX	UG-306/U	BNC	Angle Adapter (J/P)	8.13
31-10-RFX	—	BNC	Iso. Bulkh. Receptacle (J)	4.89
31-28-RFX	UG-273/U	BNC/UHF	Adapter (J/P)	58.03
31-203-RFX	UG-290A/U	BNC	Panel Receptacle (J)	6.82
31-208-RFX	UG-274A/U	BNC	Tee Adapter (J/P/J)	8.40
31-212-RFX	UG-206B/U	BNC	Plug RG-59 Clamp	4.16
31-216-RFX	UG-201A/U	BNC/N	Adapter (J/P)	17.88
31-217-RFX	UG-349A/U	BNC/N	Adapter (P/J)	29.90
31-218-RFX	UG-491A/U	BNC	Adapter (P/P)	6.63
31-219-RFX	UG-914/U	BNC	Adapter (J/J)	6.43
31-220G-RFX	—	BNC	Bulkhead Adapter (J/J)	7.63
31-220N-RFX	—	BNC	Bulkhead Adapter (J/J)	7.55
31-220N-75RFX	—	75ΩBNC	Bulkhead Adapter (J/J)	6.78
31-221-75RFX	—	75ΩBNC	Bulkhead Receptacle (J)	3.39
31-315-RFX	—	BNC	Plug RG-174.316 Crimp	4.08
31-318-RFX	—	BNC	Bulkh Jack RG-174.316 Crimp	7.90
31-320-RFX	—	BNC	Plug RG-58 Crimp	3.20
31-321-RFX	—	BNC	Plug RG-59 Crimp	8.15
31-335-RFX	—	BNC	Angle Plug RG-58. 142A Crimp	8.51
31-342-RFX	—	BNC	Bulkh Jack RG-58 Crimp	5.97
31-343-RFX	—	BNC	Bulkh Jack RG-59 Crimp	8.44
31-2242-RFX	—	TNC	Plug RG-179 Crimp	4.12
31-2264-RFX	—	TNC	Bulkh Jack RG-179 Crimp	76.01
31-2367-RFX	—	TNC	Plug RG-58. 142A Crimp	3.08
31-4541-RFX	—	BNC	Plug RG-59 QUICKTRIM®	8.36
31-5136-RFX	—	BNC	Plug RG-59 SURETWIST®	3.58
31-5329-51RFX	—	BNC	PCB Recept (J) 4 legs. Silver Cont	3.85
31-5556-RFX	—	BNC	Plug RG-59 Crimp 2pc	3.74
31-71013-RFX	—	75Ω BNC	Plug RG-179 Crimp	4.20

82 SERIES

82-97-RFX	UG-58A/U	N	Panel Receptacle (J)	8.24
82-100-RFX	UG-57B/U	N	Adapter (P/P)	13.83
82-101-RFX	UG-29B/U	N	Adapter (J/J)	7.98
82-5375-RFX	—	N	Plug RG-58 Crimp	8.55
82-5588-RFX	—	Twin	Adapter (J/J)	12.14
82-5589-RFX	—	Twin	Plug B9207 Clamp	11.37
82-5590-RFX	—	Twin	Bulkh Recept. Frnt Mt (J)	16.03

83 SERIES

83-1R-RFX	SO-239	UHF	Panel Receptacle (J)	7.97
83-1SP-16RFX	PL-259	UHF	Plug RG-8 UG Std	3.54
83-168-RFX	UG-176/U	UHF	Reducing Adapter RG-59	.89
83-185-RFX	UG-176/U	UHF	Reducing Adapter RG-58	.96
83-878-RFX	—	UHF	Bulkhead Receptacle (J)	7.90

MILITARY TO AMPHENOL CROSS REFERENCE

Prices are shown in the following section under Amphenol part numbers. The Series and Description can be used to locate any connector in the catalogue section.

Military Spec	Amphenol Industry	Type	Description
CW-123U CW-159/U CW-767/U MX-412/U MX-103/U	31-6 31-17 33-7217-1 83-1T 83-1AP	BNC BNC TPS UHF UHF	Male Cap & Chin Male Cap Male Cap & Chain Tee Adapter (J/P/J) Angle Adapter (P/J)
MX-554/U MX-1143/U MX-1684/U PL-259 PL-259	103-301 82-106 000-1025 83-1SP OR 83-822	HN N UHF UHF	Cable Trimmer Male Cap & Chain Terminator Plug Plug
PL-259A SO-239 SO-239A UG-20C/U UG-21B/U	83-756 83-1R 83-798 82-201 82-61	UHF UHF UHF N N	Plug Panel Receptacle Panel Receptacle Jack Plug
UG-21C/U UG-21E/U UG-21D/U UG-22B/U UG-23C/U	82-96 82-3202 82-202 82-62 82-94	N N N N N	Plug Plug Plug Panel Jack Jack
UG-23D/U UG-23E/U UG-27A/U UG-27B/U UG-27C/U	82-209 82-3209 82-64 82-96 82-213	N N N N N	Jack Jack Angle Adapter (J/P) Angle Adapter (J/P) Angle Adapter (P/J)
UG-28A/U UG-29A/U UG-29B/U UG-30/U UG-30C/U	82-99 82-65 82-101 82-66 82-201	N N N N N	Tee Adapter (J/J/J) Adapter (J/J) Adapter (J/J) Bulkhead Adapter (J/J) Bulkhead Adapter (J/J)
UG-30D/U UG-57B/U UG-58/U UG-58A/U UG-59A/U	91100 82-100 82-24 82-97 82-38	N N N N HN	Bulkhead Adapter (J/J) Adapter (P/P) Panel Receptacle Panel Receptacle Plug
UG-59B/U UG-83/U UG-83B/U UG-88/U UG-88C/U	82-804 14000 34125 31-2 31-202	HN N/UHF N/UHF BNC BNC	Plug Adapter (N Jack/UHF Plug) Adapter (N Jack/UHF Plug) Plug Plug
UG-88E/U UG-89/U UG-91A/U UG-106/U UG-107B/U	31-3202 31-5 7200 83-1H 82-102	BNC BNC N UHF N	Plug Jack Plug Hood, 4-Hole Flange Mt. For RG-8 Tee Adapter (J/P/J)
UG-111/U UG-146/U UG-154/U UG-160A/U UG-167A/U	83-750 4400 82-59 82-67 82-104	UHF N/UHF LC N N	Plug Adapter (N Plug/UHF Jack) Plug Bulkhead Jack Plug
UG-175/U UG-176/U UG-177/U UG-185/U UG-201A/U	83-185 83-168 83-765 4500 31-216	UHF N UHF BNC BNC/N	Reducing Adapter RG-58 Reducing Adapter RG-59 Hood, 4-Hole Flange Mt. on RG-58 Panel Receptacle Adapter (BNC Jack N/Plug)
UG-212A/U UG-255/U UG-260/U UG-260/U UG-260B/U	82-91 2900 31-12 31-21 31-212	HN BNC/UHF BNC BNC BNC	Angle Adapter (J/P) Adapter (BNC Plug/UHF Jack) Plug Plug Plug
UG-260D/U UG-261/U UG-273/U UG-274/U UG-274A/U	31-15 31-15 31-28 31-8 31-208	BNC BNC BNC/UHF BNC BNC	Plug Jack Adapter (BNC Jack/UHF Plug) Tee Adapter (J/P/J) Tee Adapter (J/P/J)
UG-274B/U UG-290A/U UG-291/U UG-291B/U UG-291C/U	31-2208 31-203 31-1 31-201 31-2201	BNC BNC BNC BNC BNC	Tee Adapter (J/P/J) Panel Receptacle Panel Jack Panel Jack Panel Jack
UG-306/U UG-306A/U UG-306B/U UG-349A/U UG-352/U	31-9 31-209 31-2209 31-217 82-80	BNC BNC BNC BNC/N LC	Angle Adapter (J/P) Angle Adapter (J/P) Angle Adapter (J/P) Adapter (BNC Plug/N Jack) Panel Jack
UG-363/U UG-414/U UG-414A/U UG-421B/U UG-422/U	83-1 47000 47025 32225 6225	UHF BNC BNC TWIN TWIN	Bulkhead Adapter (J/J) Panel Adapter (J/J) Panel Adapter (J/J) Plug Panel Receptacle
UG-491A/U UG-492A/U UG-492D/U UG-496/U UG-535/U	31-218 31-220H 31-3220 82-92 5675	BNC BNC BNC HN BNC	Adapter (P/P) Herm. Bulkhead Adapter (J/J) Herm. Bulkhead Adapter (J/J) Panel Receptacle 4 Hole, SQR Flange Angle Panel Receptacle

Military Spec	Amphenol Industry	Type	Description
UG-536/U UG-536B/U UG-556B/U UG-560/U UG-564/U	34000 34025 35275 82-805 82-508	N N N H/N C/N	Plug Plug Bulkhead Jack Panel Receptacle 4 Hole, SQR Flange Adapter C Jack/N Plug
UG-568/U UG-573A/U UG-594A/U UG-603/U UG-603A/U	82-504 82-530 15425 34500 34525	C C N N N	Panel Receptacle Plug Angle Plug Plug Plug
UG-625/U UG-625B/U UG-628A/U UG-634/U UG-646/U	5575 31-236 82-532 82-515 83-1AP	BNC BNC C C UHF	Bulkhead Receptacle Bulkhead Receptacle Plug Bulkhead Receptacle Angle Adapter (J/P)
UG-657/U UG-657A/U UG-909/U UG-910/U UG-912/U	31-102 31-239 31-206 31-201 31-238	BNC BNC BNC BNC BNC	Bulkhead Receptacle Bulkhead Receptacle Bulkhead Jack Bulkhead Jack Bulkhead Receptacle
UG-913/U UG-914/U UG-931/U UG-932/U UG-932A/U	31-204 31-219 27000 28000 27975	BNC BNC MHV MHV MHV	Angle Plug Adapter (J/J) Panel Receptacle Plug Plug
UG-941B/U UG-959/U UG-961A/U UG-997A/U UG-1016A/U	82-3204 6775 28175 8975 27075	N BNC MHV N MHV	Plug Plug Panel Jack Panel Receptacle Jack
UG-1019/U UG-1033/U UG-1034/U UG-1052/U UG-1094/U	11050 84975 5225 36000 31-221	HN BNC BNC/N N BNC	Bulkhead Adapter (J/J) Plug Adapter (BNC Plug/N Plug) Panel Jack Bulkhead Receptacle
UG-1094A/U UG-1095A/U UG-1098/U UG-1185/U UG-1185A/U	31-2221 36250 31-222 82-312 82-3312	BNC N BNC N N	Bulkhead Receptacle Panel Jack Angle Bulkhead Receptacle Plug Plug
UG-1186/U M39012/01-0501 M39012/01-0502 M39012/01-0503 M39012/01B0007	82-313 84-4440 82-4442 31-4320 31-4326	N N N N N	Jack Plug Plug Plug Plug
M39012/01B0008 M39012/04-0002 M39012/05-0501 M39012/16-0101 M39012/16-0102	31-4321 31-3302 31-4427 31-4238 31-4452	N N N BNC BNC	Plug Panel Jack Angle Jack Clamp Plug Clamp Plug
M39012/16-0013 M39012/16-0015 M39012/16-0503 M39012/24-0001 M39012/26-0503	31-4328 31-4237 82-4450 82-4474 901-128-11	BNC BNC BNC BNC TNC	Crimp Plug Crimp Plug Crimp Plug Bulkhead Jack Plug
M39012/35-0501 M39012/40-0501 M39012/55-4007 M39012/55-4502 M55339/02-30001	901-103-11 901-155-16 82-4454 901-368-12 901-125-11SF	SC SC SMA SMA SMA	Straight Plug Bulkhead Jack Plug Plug In-Series Adapter

AMPHENOL RF CONNECTOR PRICE LIST

This price list is also an index. For each Amphenol number, the Series and type of connector is shown. With this information, any connector can be located in the Catalogue section on the preceding pages. To make this listing easier to use, only the more frequently called up connectors are shown. Electro Sonic can supply on request any Series or type of RF connector available from Amphenol.

Cat. No.	UG-/U No.	Series	Description	Net Price
27-1	—	27	plug	\$12.40
27-3	—	27	blkh. recept.	11.09
27-7	—	27	plug	8.16
31-2	88	BNC	plug	10.64
31-5	89	BNC	jack	11.18
31-6	CW-123	BNC	male cap	8.75

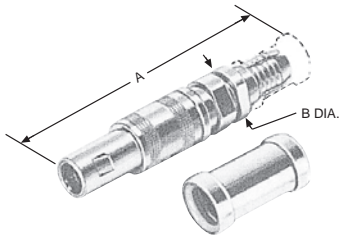


FIGURE 2

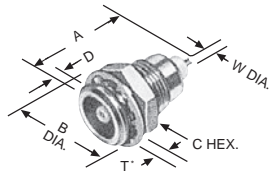


FIGURE 9

K-LOC

Cat. No.	Fig.	Description	Dimensions		Finish	Net Price
			A	B		
STRAIGHT PLUG—WEATHERPROOF K-GRIP, JR. CONSTRUCTION						
1075-1	2	Crimp contact	1.37 (34.8)	0.27 (6.9)	TR-5	\$66.11
RECEPTACLES						
1074-1	9	Front Mounting, Bulkhead	0.61 (15.5)	0.40 (10.2)	TR-5	76.22

Note: TR-5 Tarnish & Corrosion Resistant Finish.

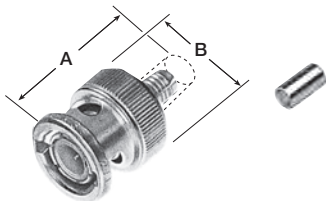


FIGURE 6

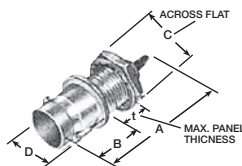


FIGURE 27

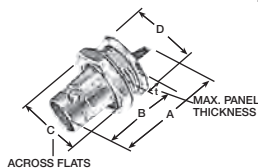


FIGURE 28

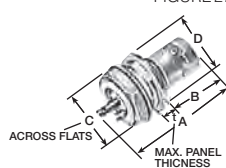


FIGURE 31

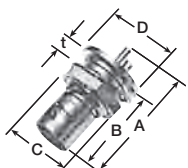


FIGURE 33

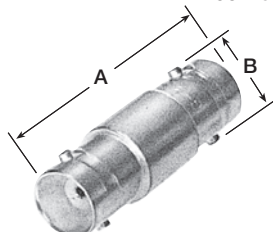


FIGURE 62

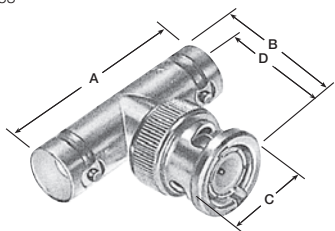
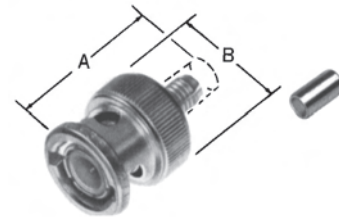


FIGURE 66

BNC K-GRIP, JR. CONSTRUCTION

Cat. No.	Fig.	Description	Dimensions		Cable Group	Net Price
			A	B		
PLUGS, TR-5 TARNISH AND CORROSION RESISTANT FINISH						
KC-59-152	6	Crimp contact	0.94 (23.9)	0.56 (14.2)	B1	\$16.01
BULKHEAD RECEPTACLES, TR-5 TARNISH AND CORROSION RESISTANT FINISH						
KC-79-131	27	Front mount	1.19 (30.2)	0.47 (11.9)	—	20.08
KC-79-179	28	Rear mount	1.04 (26.4)	0.73 (18.5)	—	52.03
KC-79-197	31	Gold contact, front mount	1.06 (26.9)	0.52 (13.2)	—	61.01
KC-79-150	33	Isolated ground, rear mount	1.06 (26.9)	0.73 (18.5)	—	47.99



BNC PLUGS K-GRIP, JR. CONSTRUCTION

Cat. No.	Description	Dimensions		Cable Type	Net Price
		A	B		
TR-5 TARNISH & CORROSION RESISTANT FINISH					
KC-59-294	Crimp & captive contact	27.9	14.2	59U	\$51.99
KC-59-299	Crimp & captive contact	27.9	14.2	Beldon 8281	51.99

*NOTE: Dimensions are given in mm.

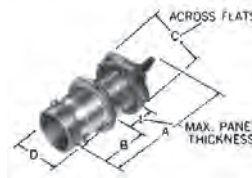
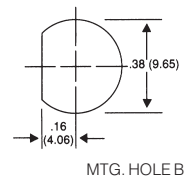


FIGURE 27



MTG. HOLE B

BNC BULKHEAD RECEPTACLES

Cat. No.	Description	Dimensions				Net Price
		A	B	C	D	
TR-5 TARNISH & CORROSION RESISTANT FINISH						
KC-79-35	Front Mount	26.9	11.9	12.7	12.7	\$10.61
SILVER FINISH						
UG-1094/U	Front Mount	26.9	11.9	12.7	12.7	10.47

*NOTE: Dim. are given in mm.

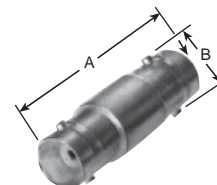


FIGURE 62

BNC ADAPTERS WITHIN SERIES

Cat. No.	Adapter Ends	Dimensions				Net Price
		A	B	C	D	
SILVER FINISH, FIG. 62						
UG-914/U	Jack/Jack	32.5	11.2	—	—	\$28.30

*NOTE: Dimensions are given in mm.

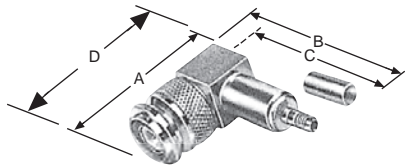


FIGURE 14

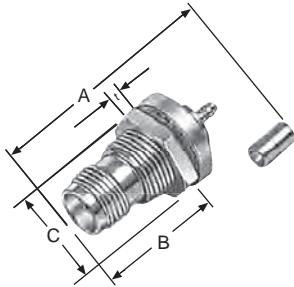


FIGURE 18

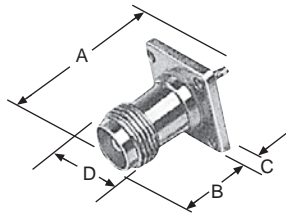


FIGURE 28

TNC K-GRIP, JR. CONSTRUCTION

Cat. No.	Fig.	Description	Dimensions				Net Price
			A	B	C	D/T	
ANGLE PLUG/SILVER FINISH							
KA-59-296	14	Crimp & captive contact	1.13 (28.7)	1.79 (45.5)	1.42 (36.1)	0.89 (22.6)	\$52.70
BULKHEAD JACKS/TR-5 TARNISH & CORROSION RESISTANT FINISH							
KA-19-60	18	Rear mtg., crimp & captive contact	1.39 (35.3)	0.80 (20.3)	0.69 (17.5)	0.242 (6.2)	23.82
PANEL RECEPTACLES/SILVER FINISH							
KA-79-39	28	—	1.06 (26.9)	0.62 (15.8)	0.09 (2.3)	0.44 (11.2)	29.29

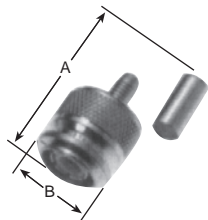


FIGURE 7

TNC PLUGS K-GRIP, JR. CONSTRUCTION

Cat. No.	Description	Cable Type	Dimensions		Net Price
			A	B	
SILVER FINISH					
KA-59-291	Crimp & captive contact	180U, 195U	28.2	16.0	\$36.29

*NOTE: All dimensions in mm.

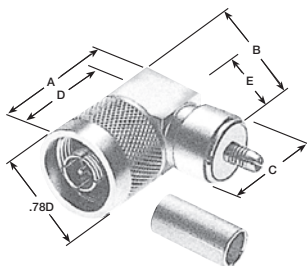


FIGURE 10

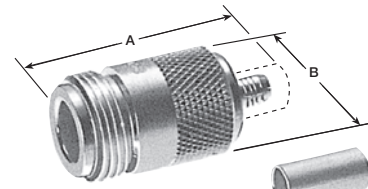


FIGURE 13

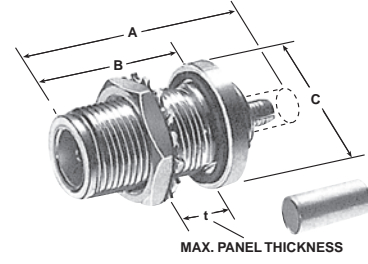
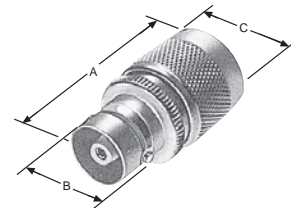


FIGURE 15

N K-GRIP, JR. CONSTRUCTION

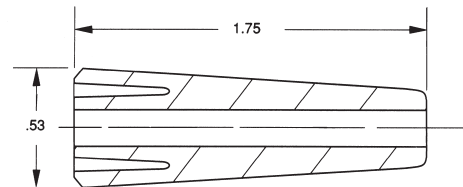
Cat. No.	Fig. No.	Description	Cable Group	Dimensions					Net Price
				A	B	C	D/T	E	
ANGLE PLUGS/SILVER FINISH									
KN-59-245	10	Captive contact, Wire holes	E-1	1.34 (34.0)	2.14 (54.4)	0.66 (16.8)	1.01 (25.7)	1.71 (43.4)	\$69.05
BULKHEAD JACKS/SILVER FINISH									
KN-19-151	15	Rear mounting, Captive contact, Gold plated	E-1	1.78 (45.2)	0.92 (23.4)	0.88 (22.4)	0.324 (8.2)	—	45.70



ADAPTERS BETWEEN SERIES

Cat. No.	Description	Dimensions			Net Price
		A	B	C	
KN-99-35	BNC Jack-N-Plug	1.31(33.3)	0.44(11.2)	0.79(20.1)	\$45.72

Note: TR-5 Tarnish & Corrosion Resistant Finish



FLEXIBOOT

These strain-relief Flexiboots protect the cable from wear, fatigue and weather. The Flexiboots have a unique patented double-gripping action that assures a positive hold on Kings K-Grip Jr. connectors. They are available for use with RG58/U, 59/U and 174/U cable sizes. Material is Buna N rubber for -01 to -09 items, and compound AO10C (flame res. per UL-94V2) for -10 items.

FLEXIBOOT

Cat. No.	Colour	Net Price
RG-58/U CABLE		
1-1483-10	Black	\$4.99