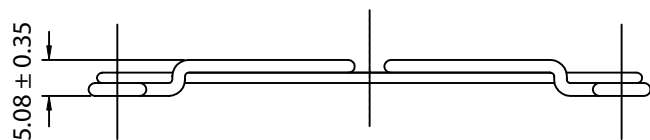
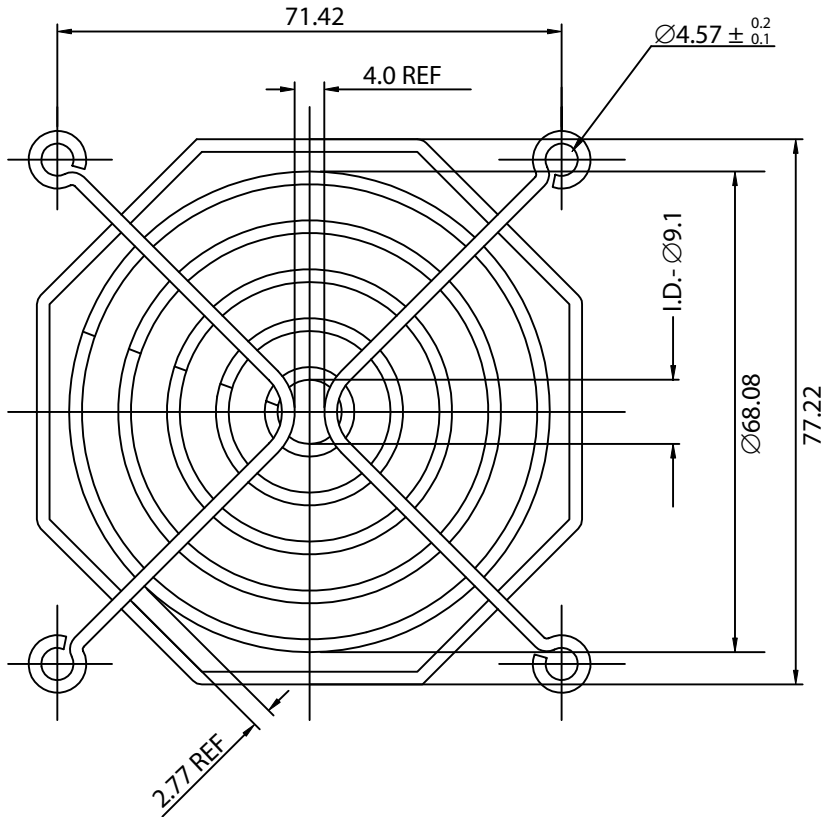


THESE DRAWINGS ARE THE PROPERTY OF QUALTEK ELECTRONICS AND NOT TO BE REPRODUCED FOR OR COMMUNICATED TO A THIRD PARTY WITHOUT THE EXPRESS WRITTEN PERMISSION OF AN OFFICER OF QUALTEK ELECTRONICS.

REVISION			
REV.	DESCRIPTION	DATE	APPROVED
B	RoHS Compliancy	06-01-06	DP



NOTES:

1. MATERIAL: C1008 BRIGHT BASIC WIRE
2. FINISH: BRIGHT NICKEL CHROME PLATING
3. 0.35 ± 0.05 DEPTH OF SERRATIONS ON WIRE
4. RING: Ø1.8 ± 0.1mm  
RIB: Ø1.8 ± 0.1mm
5. GENERAL TOLERANCE UNLESS NOTED IS ± 0.5mm
6. RoHS COMPLIANT

**CONTROLLED**

Dim range (mm)	Tolerance +/- (mm)	Qualtek Electronics Corp. FAN-S DIVISION		
		Part Number: 08156		RoHS Compliant
0-5	0.1	Description: WIRE FORM FAN GUARD (80mm)		
5-16	0.15	UNIT: mm REV: B		
16-64	0.2	Approved / Date		
64-250	0.4	Checked / Date		
250-1000	0.5	Approved / Date		
1000-1500	1.0	Approved / Date		
		Drawn / Date	Checked / Date	Approved / Date
		B. ZHANG 12-07-04	12-07-04	JJH / 12-07-04