



Heavy duty, nonreset totalizer . . . ideal for linear measurement or position indication

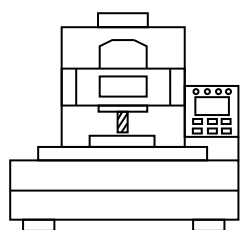
Series 7268 is frequently used for position indication on machine tools, back gauges, and laboratory equipment. It's tough enough to be unaffected by punishing industrial environments, yet remains accurate and maintenance-free over a long service life.

- Speeds to 25,000 counts per minute
- High contrast, easy-to-read, 5 figure display
- Direct drive – adds 10 counts per shaft revolution, reverse rotation subtracts
- Precision designed mechanism requires only 0.3 oz-in (0.21 N.cm) torque
- Rugged construction with brass case and stainless steel shaft
- Permanently lubricated oil impregnated porous bronze bushings
- Available in left and right shaft extension, with clockwise addition or subtraction
- Nonreset design provides security of counted totals

SPECIFICATIONS

- Count Speed:** 1500 rpm continuous, 2500 rpm intermittent
- Torque:** Maximum static: 0.3 oz-in (0.21 N.cm)
- Number of Figures:** 5 standard; 3 to 7 available, non-stock
- Size of Figures:** 0.187" (4.7 mm) high by 0.140" (3.6 mm) wide
- Color of Figures:** White on black
- Lubrication:** Not required
- Mounting:** Base
- Construction:** Case: Brass; Shaft: Stainless steel; Pinions: Acetal resin;
Right Wheel: Nylon, all others acetal resin
- Net Weight:** 7 oz. (198.45 g)

Typical Applications:



Machine Tool

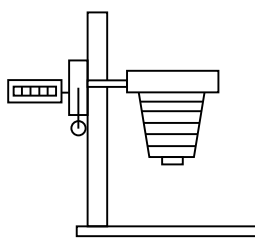
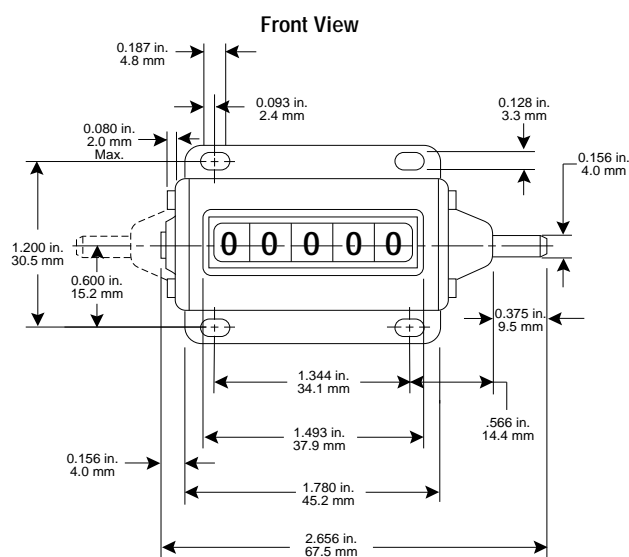


Photo Enlarger

Model No.	Description	Rotation
726815-001	5 figure, nonreset	⊕ 1
726825-001	5 figure, nonreset	⊕ 2
726835-001	5 figure, nonreset	⊖ 3
726845-001	5 figure, nonreset	⊖ 4

Dimensions:



Side View

