

PLEASE CHECK WWW.MOLEX.COM FOR LATEST PART INFORMATION

Part Number: [0006023104](#)
Status: **Active**
Description: Flat Blade Appliance Dryer Motor Crimp Housing, 10 Circuit

Documents:

[3D Model](#) [Packaging Specification PK-42865-001-001 \(PDF\)](#)
[Drawing \(PDF\)](#) [RoHS Certificate of Compliance \(PDF\)](#)
[Product Specification PS-43374-001-001 \(PDF\)](#)

Agency Certification

CSA LR19980
 UL E29179

General

Product Family Crimp Housings
 Series [42865](#)
 Application Power
 Product Name Flat Blade
 UPC 800753825994

Physical

Circuits (maximum) 10
 Color - Resin Natural
 Flammability 94V-2
 Gender Receptacle
 Glow-Wire Compliant No
 Keying to Mating Part Yes
 Lock to Mating Part Yes
 Material - Resin Nylon
 Net Weight 8.602/g
 Number of Rows 1
 Packaging Type Bag
 Panel Mount No
 Pitch - Mating Interface 5.80mm
 Pitch - Termination Interface 5.80mm
 Polarized to Mating Part Yes
 Stackable No
 Temperature Range - Operating -40°C to +75°C

Solder Process Data

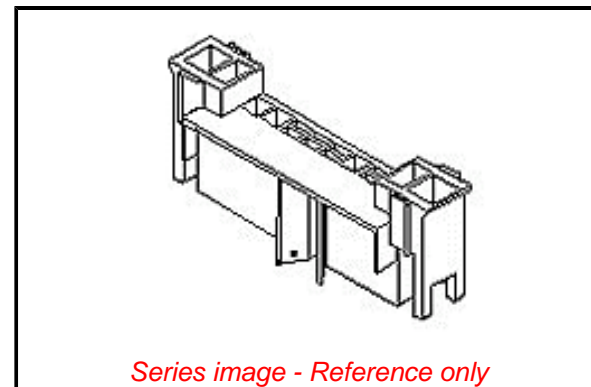
Lead-freeProcess Capability N/A

Material Info

Engineering Number 42865-0001

Reference - Drawing Numbers

Packaging Specification PK-42865-001-001
 Product Specification PS-43374-001-001
 Sales Drawing SD-42865-0001



EU ELV

Not Relevant

EU RoHS

Compliant

REACH SVHC

Not Contained Per -
 ED/30/2017 (7 July
 2017)

Halogen-Free

Status

Low-Halogen

**Need more information on product
 environmental compliance?**

Email productcompliance@molex.com
 Please visit the [Contact Us](#) section for any
 non-product compliance questions.

China ROHS	Green Image
ELV	Not Relevant
RoHS Phthalates	Not Contained

Search Parts in this Series

[42865 Series](#)

Mates With

Dryer Motor

Use With

[1508 Crimp Terminals, 43374 , 41422](#)

PLEASE CHECK WWW.MOLEX.COM FOR LATEST PART INFORMATION