

**PLEASE CHECK WWW.MOLEX.COM FOR LATEST PART INFORMATION**

**Part Number:** [0006023103](#)  
**Status:** **Active**  
**Description:** Flat Blade Appliance Motor Switch Crimp Housing, 10 Circuit, 10 Circuits

**Documents:**

[3D Model](#) [RoHS Certificate of Compliance \(PDF\)](#)  
[Drawing \(PDF\)](#)

**Agency Certification**

CSA LR19980  
 UL E29179

**General**

Product Family Crimp Housings  
 Series [6313](#)  
 Application Power, Wire-to-Board  
 Comments Thumb Depress Latch  
 Product Name Flat Blade  
 UPC 800753825963

**Physical**

Circuits (maximum) 10  
 Color - Resin Natural  
 Flammability 94V-2  
 Gender Receptacle  
 Glow-Wire Compliant No  
 Material - Resin Nylon  
 Net Weight 7.107/g  
 Number of Rows 1  
 Packaging Type Bag  
 Panel Mount No  
 Pitch - Mating Interface 5.59mm  
 Stackable No  
 Temperature Range - Operating -40°C to +75°C

**Solder Process Data**

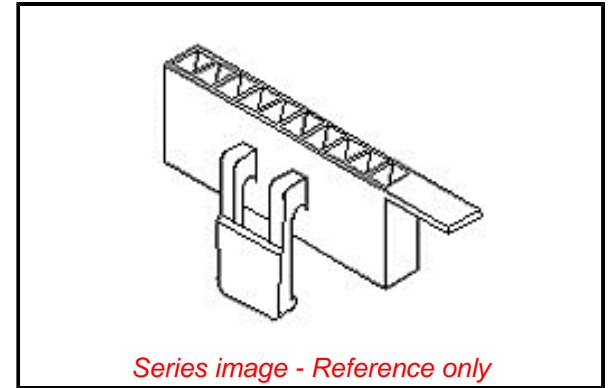
Lead-freeProcess Capability N/A

**Material Info**

Engineering Number 6313-1-10

**Reference - Drawing Numbers**

Sales Drawing SD-6313-1-10



**EU ELV**

**Not Relevant**

**EU RoHS**

**Compliant**

**REACH SVHC**

Not Contained Per -  
 ED/30/2017 (7 July  
 2017)

**Halogen-Free**

**Status**

**Low-Halogen**

**Need more information on product  
 environmental compliance?**

Email [productcompliance@molex.com](mailto:productcompliance@molex.com)  
 Please visit the [Contact Us](#) section for any  
 non-product compliance questions.

China ROHS

ELV

RoHS Phthalates

Green Image

Not Relevant

Not Contained

**Search Parts in this Series**

[6313 Series](#)

**Mates With**

Appliance Motor

**Use With**

[1508 Crimp Terminals](#), [43374](#)