

# Candelabra Screw

## 4 SERIES

- CANDELABRA SCREW NON-GROUNDED LAMPHOLDERS
- 6" WIRE LEADS • BRASS SHELL IN BLACK POLYESTER HOUSING
- MAXIMUM RATING: 75 WATTS, 125 VOLTS
- UL AND CSA LISTED • UL FILE E20356 • CSA FILE LR 15284-2

### Overview

The 4 Series lampholders are supplied with a brass shell in a polyester molded housing. Lampholders are supplied with 6" two wire leads and are non-grounded. Many bracket and mounting options are available including a 15/16" mounting hole plug button and a threaded bushing for 13/32" mounting holes. Lampholders are designed for use with candelabra screw lamps.

### Specifications

**Shell:** brass.

**Housing:** black polyester. White housing also available.

**Wire leads:** 6" **Leads:** #18 AWG, black & white, bare copper, PVC insulated, UL/CSA rated 105° C, stripped 1/2". Non-grounded units are supplied with two 6" wire leads. Custom wire lengths, stripping, termination and wire types are also available.

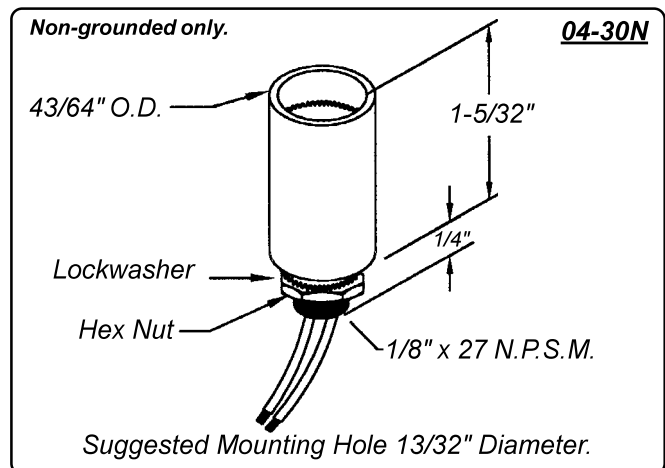
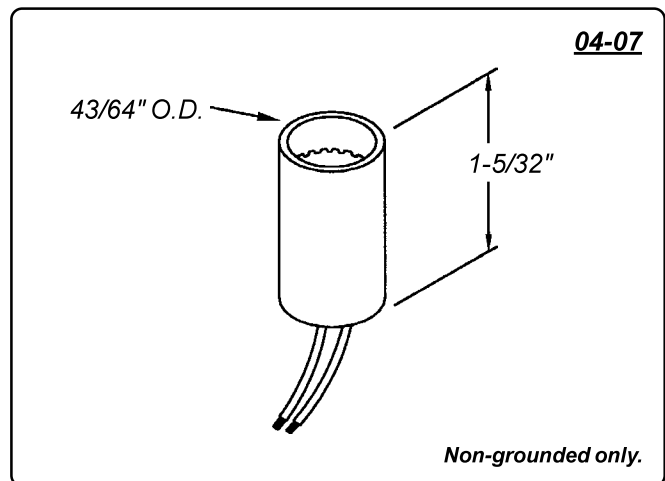
#### Mounting:

**Brackets:** .025" to .032" zinc plated steel. Custom brackets and plating types are available.

**Threaded bushing:** for 13/32" diameter mounting hole. Supplied with lockwasher and hex nut.

**Plug button:** zinc plated steel for 15/16" mounting hole.

**Maximum rating:** 75 Watts, 125 Volts.



### Can't find it here? We have many more standard and custom solutions

The items in this product sheets are only a small representative sample of the complete VCC product line. We manufacture many additional products which are not shown in this product sheet due to space constraints.

Custom products can also be designed uniquely for you by our Technical Support Professionals. Starting from your ideas and specifications, we work with your personnel to develop timely and cost effective solutions for your miniature lighting needs.

VCC Technical Support Services are provided without charge and may include designs, prototypes and pre-production samples.

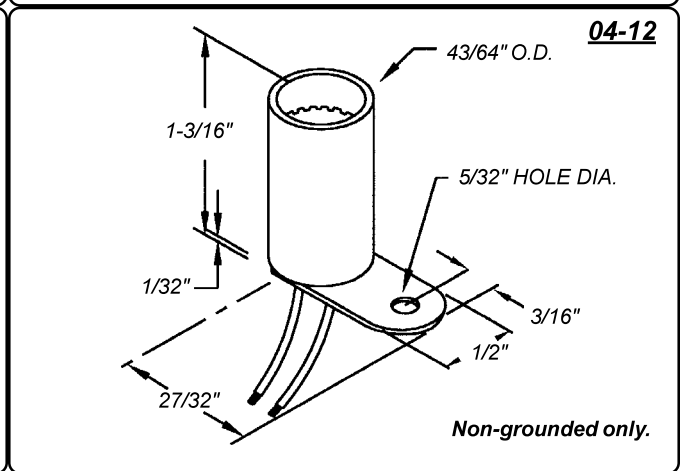
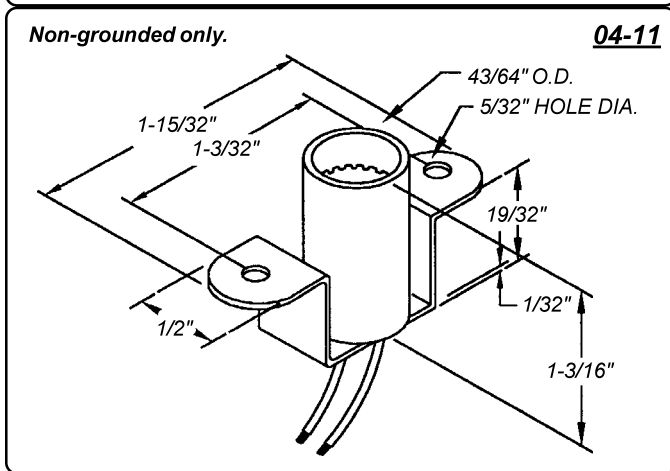
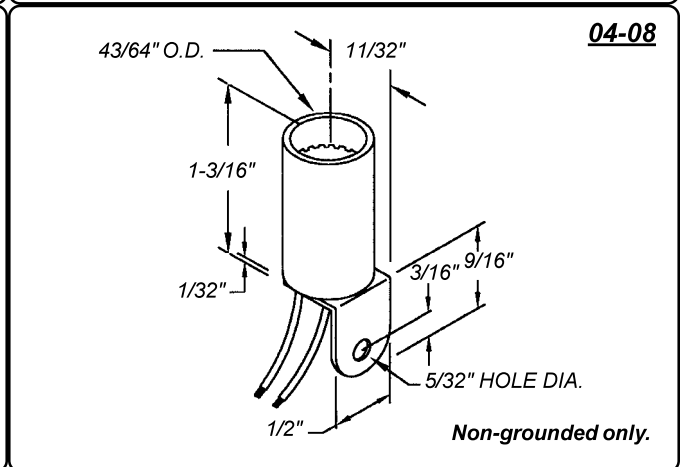
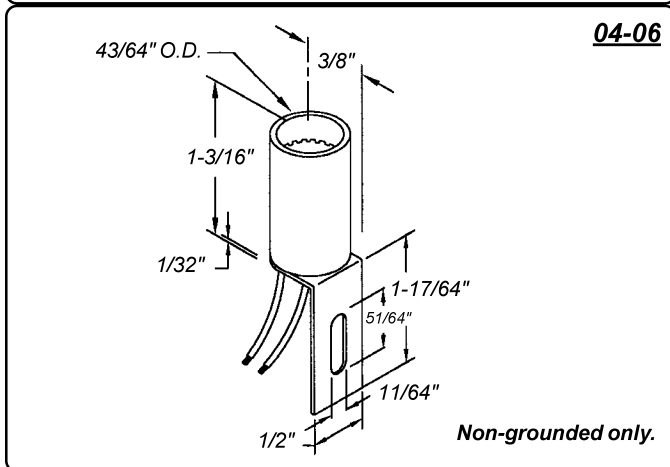
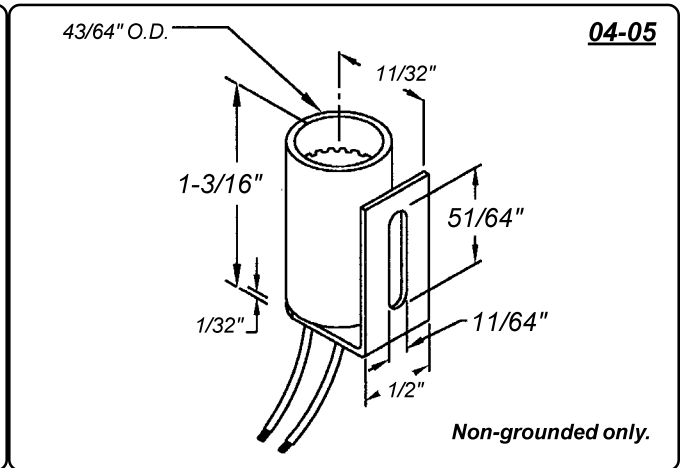
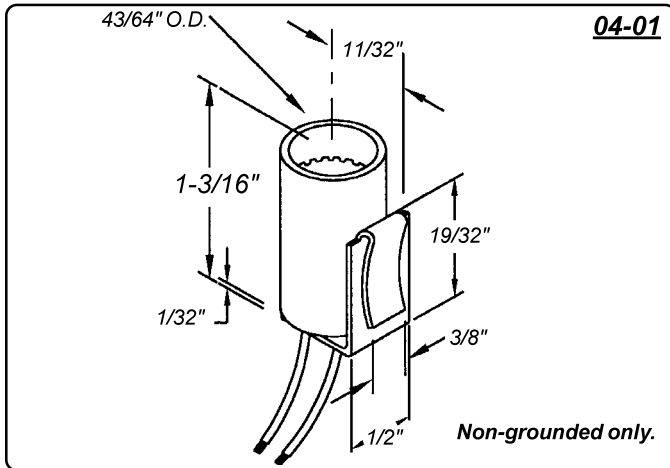
For further information, phone Customer Service at 800.522.5546.

# Candelabra Screw

## 4 SERIES

UL & CSA Listed • Non-Grounded  
 Maximum Rating: 75 Watts, 125 Volts

Brass Shell  
 Black Polyester Housing  
 6" Wire Leads



# Candelabra Screw

## 4 SERIES

UL & CSA Listed • Non-Grounded  
 Maximum Rating: 75 Watts, 125 Volts

Brass Shell  
 Black Polyester Housing  
 6" Wire Leads

Bracket No.	"A" Dimension
-15	1-5/32"
-18	1-13/32"
-82	15/16"

Maximum Panel Thickness .045"

**04-15**  
**04-18**  
**04-82**

*Non-grounded only.*

**04-13**

*Non-grounded only.*

**04-19**

*Non-grounded only.*

For reversed bracket: **04-20.**

**04-40**

*Non-grounded only.*

Plug Button: zinc plated steel, for 15/16" hole for panel thickness range 1/32" to 5/64".

**04-65**

*Non-grounded only.*

For reversed bracket: **04-55.**