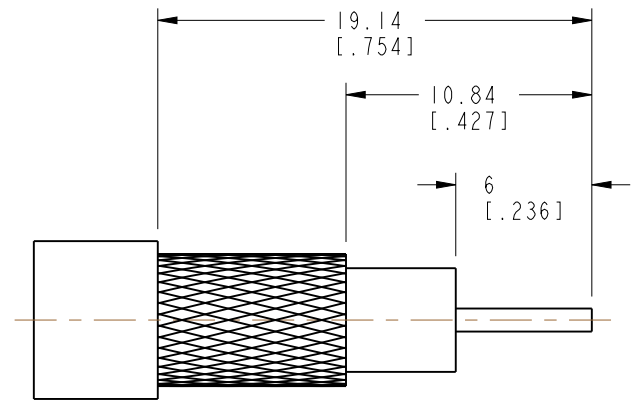


NOTES:

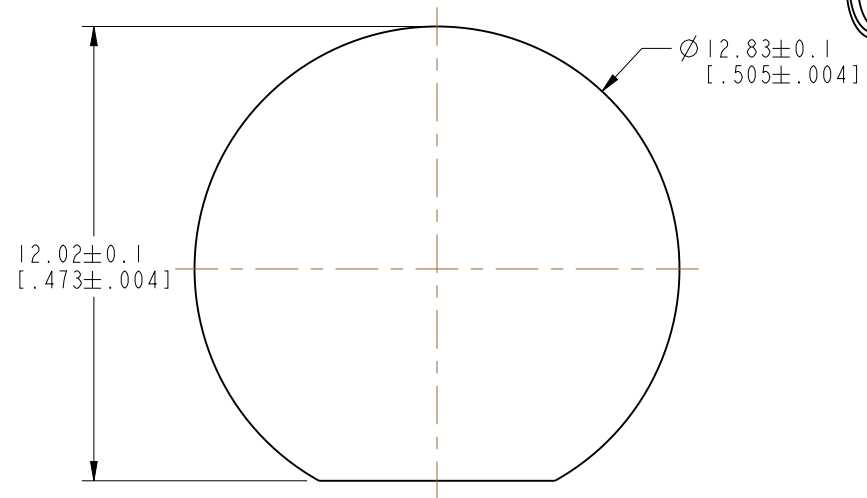
1. MATERIALS AND FINISHES:
 - BODY - BRASS, NICKEL PLATING
 - FERRULE - COPPER, NICKEL PLATING
 - LOCK WASHER - BRASS, NICKEL PLATING
 - HEX NUT - BRASS, NICKEL PLATING
 - LOCK RING - BRASS, GOLD PLATING
 - CONTACT - PHOSPHOR BRONZE, GOLD PLATING
 - INSULATORS - PTFE, NATURAL
 - GASKET - SILICON RUBBER, RED
2. ELECTRICAL:
 - A. IMPEDANCE: 75 OHM
 - B. FREQUENCY RANGE: DC-12 GHz
 - C. VSWR(RETURN LOSS): 1.22 (20 dB) MAX @ DC-6 GHz
1.43 (15 dB) MAX @ 6-12 GHz
 - D. DIELECTRIC WITHSTANDING VOLTAGE: 1500 VRMS, MIN.
3. MECHANICAL:
 - A. DURABILITY: 500 CYCLES MIN.
 - B. TEMPERATURE RANGE: -65°C TO +165°C
4. CRIMPED FERRULE
HEX CRIMP SIZE .319"
5. CRIMPED CONTACT PIN
SQ. CRIMP SIZE .042"
6. SHOWS CABLE ENTRY DIMENSIONS
7. PACKAGING:
 - A. QUANTITY: SINGLE PACK
 - B. MARKING: PACKAGING TO BE MARKED
"AMPHENOL RF, 31-70565-12G & DATE CODE"

THIRD ANGLE PROJ.

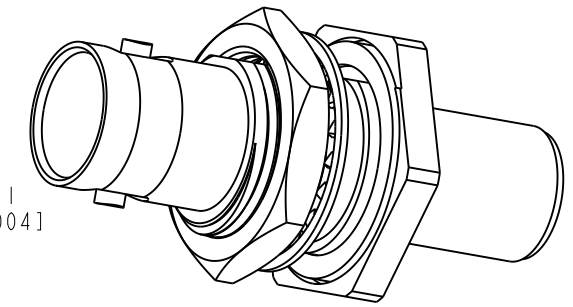
		REVISIONS		
REV	DESCRIPTION	DATE	ECN	APPR
A	RELEASE TO MFG.	28-Jun-19	12045	EH



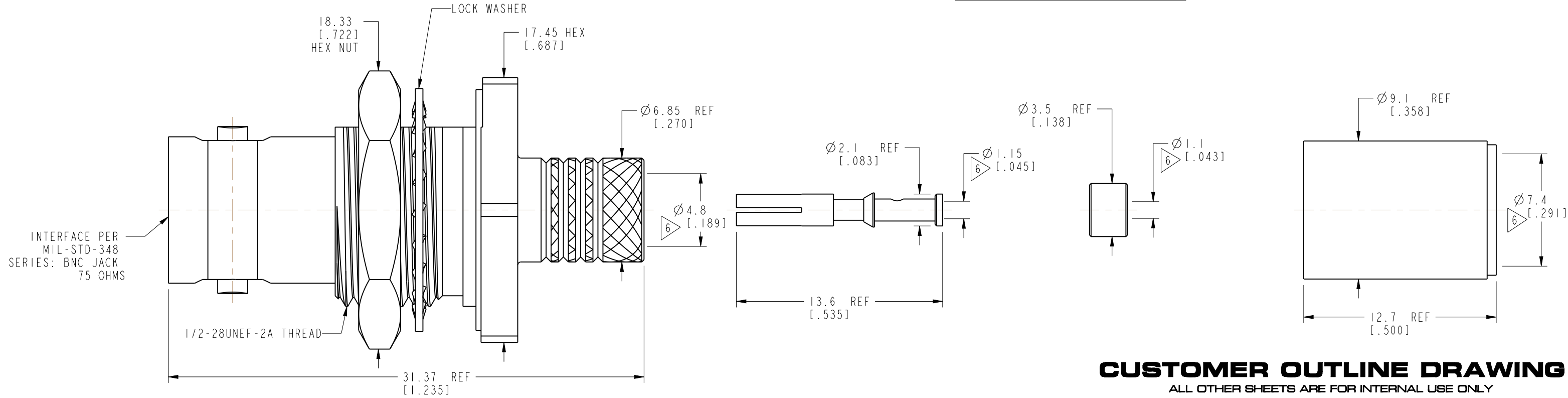
RECOMMENDED CABLE STRIPPING DIMENSIONS



RECOMMENDED MOUNTING HOLE



SCALE 2.000



CUSTOMER OUTLINE DRAWING
ALL OTHER SHEETS ARE FOR INTERNAL USE ONLY

UNLESS OTHERWISE SPECIFIED, DIMENSIONS ARE IN METRIC AND TOLERANCES ARE: <0.5mm ± 0.05mm 0.5 - 6mm ± 0.1mm 6 - 30mm ± 0.2mm 30 - 120mm ± 0.3mm ANGLES ± 1°	MATERIAL NOTE 1	DRAWN E. HILL	DATE 01-Mar-19	TITLE BNC BULKHEAD JACK FOR BELDEN 4694R CABLE		Amphenol RF www.amphenolrf.com	
	REFERENCE EAR# 8870	ENGINEER E. HILL	DATE 01-Mar-19				
NOTICE - These drawings, specifications, or other data (1) are, and remain the property of Amphenol corp. (2) must be returned upon request; and (3) are confidential and not to be disclosed to any person other than those to whom they are given by Amphenol Corp. the furnishing of these drawings, specifications, or other data by Amphenol Corp., or to any other person to anyone for any purpose is not to be regarded by implication or otherwise in any manner licensing, granting rights to permitting such holder or any other person to manufacture, use or sell any product, process or design, patented or otherwise, that may in any way be related to or disclosed by said drawings, specifications, or other data.	REF: 31-70547-12G	APPROVED K. CAPOZZI	DATE 28-Jun-19	SCALE: 4.0:1.0	SHEET 2 OF 2	ITEM NO. 31-70565-12G	
	CONFIGURATION LEVEL: In Work	CAD FILE		DWG SIZE B	REV 3	PART NO. 31-70565-12G	
	FINISH						