

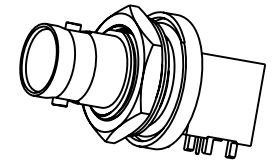
NOTES:

- MATERIALS AND FINISHES:  
 BODY - BRASS, TIN PLATING  
 CONTACT - BeCu, GOLD PLATING  
 REAR CONTACT - BRASS, GOLD PLATING  
 HEX NUT, CAP, RETAINING RING - BRASS, NICKEL PLATING  
 LOCKWASHER - PHOSPHOR BRONZE, NICKEL PLATING  
 INSULATORS - PTFE
- ELECTRICAL:  
 A. IMPEDANCE: 75 OHM  
 B. FREQUENCY RANGE: DC - 12 GHz
- MAX. PANEL THICKNESS: 1.52 [0.060] MAX.
- MECHANICAL:  
 A. DURABILITY: 500 CYCLES MIN.  
 B. TEMPERATURE RANGE: -65°C TO +165°C  
 C. CONNECTOR IS IP-67 COMPLIANT IN UNMATED CONDITION WHEN MATED TO PANEL.
- PACKAGING:  
 A. QUANTITY: SINGLE PACK  
 B. MARKING: PACKAGING TO BE MARKED "AMPHENOL RF, 31-70564-12G, AND DATE CODE"

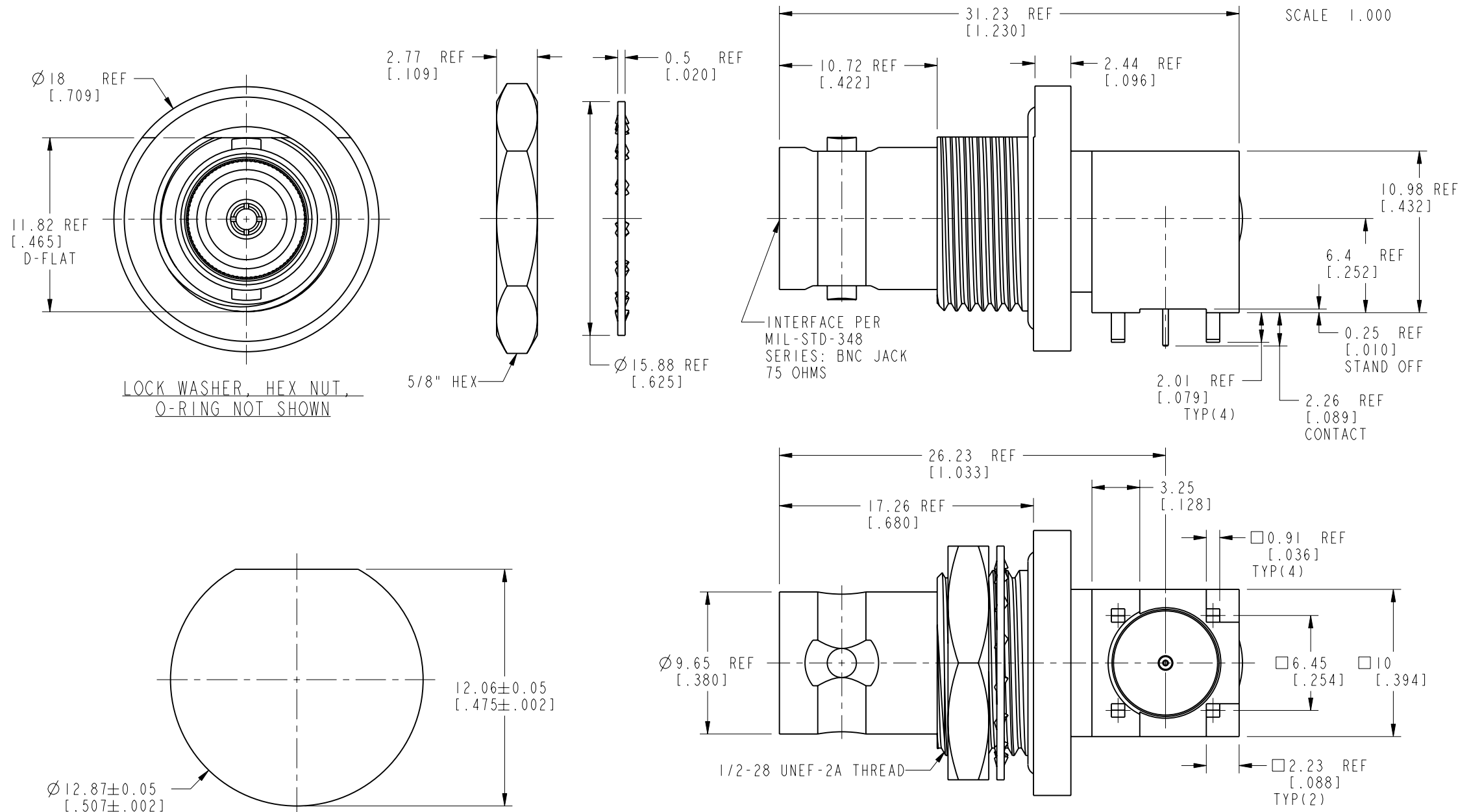
THIRD ANGLE PROJ.

REVISIONS

REV	DESCRIPTION	DATE	ECN	APPR
A	RELEASE TO MFG.	18-Feb-19	10462	EH



SCALE 1.000



RECOMMENDED PCB HOLE DIMENSIONS

RECOMMENDED MOUNTING HOLE DIMENSIONS

**CUSTOMER OUTLINE DRAWING**

ALL OTHER SHEETS ARE FOR INTERNAL USE ONLY

UNLESS OTHERWISE SPECIFIED, DIMENSIONS ARE IN METRIC AND TOLERANCES ARE: <0.5mm ± 0.05mm    0.5 - 6mm ± 0.1mm    6 - 30mm ± 0.2mm    30 - 120mm ± 0.3mm    ANGLES ± 1°	MATERIAL NOTE 1	DRAWN S. DUAN DATE 18-Feb-19	TITLE 75 OHM BNC R/A BHD PCB JACK, IP67		Amphenol RF www.amphenolrf.com
	REFERENCE EAR# 8866 REF: 31-70551-12G CONFIGURATION LEVEL: In Work FINISH	ENGINEER E. HILL DATE 24-Jan-19 APPROVED S. HSIEH DATE 18-Feb-19 CAD FILE	SCALE: 3.0:1.0 SHEET 2 OF 2 DWG SIZE B REV A	DRAWING NO. 31-70564-12G ITEM NO. 31-70564-12G PART NO. 31-70564-12G	