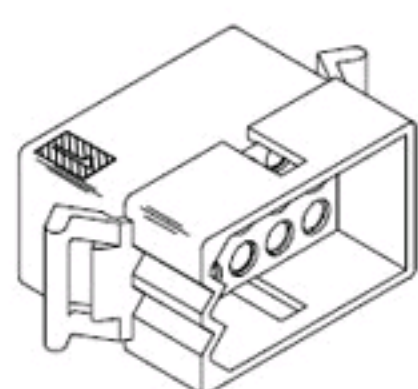


Part Number: 03-09-2152

2.36mm Diameter Standard .093" Pin and Socket Plug Housing, 15 Circuits, 3 Rows



Series image - Reference only

Status: **OBSOLETE**
Replacement: [3092159](#)

Series:
Category: Crimp Housings
Overview: [Standard .093"](#)
Old Part Number: 1375P2

[Go to Part Detail](#) ▼

[CHECK DISTRIBUTOR INVENTORY](#)

- [Add to My Parts](#)
- [Email this page](#)

Mates With Part(s):
1375r

Use With:
[1189](#) Crimp Terminals, [1190](#) Crimp Terminals, [1380](#) Male Crimp Terminals, [1381](#) Female Crimp Terminals, [1433](#) Crimp Terminals, [1434](#) Male Crimp Terminals, [1973](#), [2151](#), [2273](#), [2870](#), [2871](#), [4272](#), [4550](#), [6271](#)

Application Tooling [FAQ](#)

Tooling specifications and manuals are found by selecting the products below.

Crimp Height Specifications are then contained in the Application Tooling Specification document.

Previously Available Application Tooling

[Check our list of old tooling that used to be available for this part](#)

Specifications & Other Documents:

Sales Drawings, 3D Models, and Brochures
Documents not available online

Note - Please disable browser pop-up blockers to view documents on www.molex.com

Product Environmental Compliance

Questions on Product Environmental Compliance? Email productcompliance@molex.com

EU RoHS: Compliance Status Not Reviewed
China RoHS:
REACH SVHC: Not Reviewed
Low-Halogen Status: Not Reviewed

- [RoHS Certificate of Compliance \(PDF\)](#)
- [Multiple Part Product Compliance Form](#)

Part Detail

[COLLAPSE ALL](#)

▼ **General**

Status	Obsolete
Category	Crimp Housings
Series	
Application	Power
Comments	7.5A per circuit fully loaded with 14 AWG
Obsolete Date	2000/06/01
Overview	Standard .093"
Product Name	Standard .093"

▼ **Physical**

Circuits (maximum)	15
Flammability	94V-2
Gender	Dual
Glow-Wire Compliant	No
Lock to Mating Part	Yes
Number of Rows	3
Packaging Type	Bag
Panel Mount	Yes
Pitch - Mating Interface	5.03mm
Stackable	No
Temperature Range - Operating	-40°C to +105°C

▼ **Electrical**

(Please review the Product Specification for specific details.)

Current - Maximum per Contact	7.5A
-------------------------------	------

▼ **Agency Certification**

CSA	LR19980
UL	E29179

▼ **Material Info**

Old Part Number	1375P2
-----------------	--------

Molex Connectors

- Wire-to-Board
- Board-to-Board
- Wire-to-Wire
- Input/Output (IO)
- FFC/FPC
- Sockets

Other Products

- Fiber Optic Products
- Antennas
- Industrial Automation
- Membrane Switches
- Copper Flex
- PCB Assemblies
- Woodhead Electrical
- Solid State Lighting

Resources

- Catalog
- Cross-Reference Industries
- Literature
- Product Name

Company Info

- About Us
- Careers
- Contact Us
- ecocare
- Investors
- Press Room
- Shows & Events

Other Info

- Feedback
- Help
- Legal Disclaimer
- Privacy Policy
- Sitemap

Stay Connected with Molex:

