

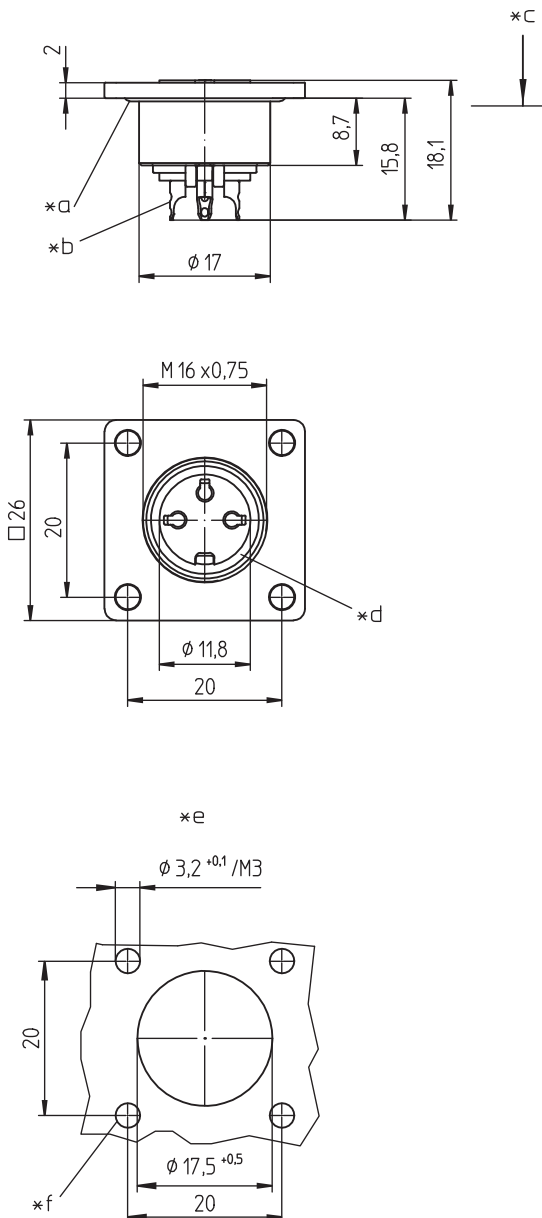
03 0308

Circular connectors with threaded joint M16 acc. to IEC 61076-2-106, IP40/IP67/IP68



Flange chassis socket acc. to IEC 61076-2-106, IP68, with threaded joint and solder terminals, for front mounting

03 0308



Environmental conditions

Temperature range -40 °C/+85 °C

Materials

Insulating body	PA GF, V-0 according to UL94
Contact bush	CuZn, silver-plated and flash gold-plated (3-8 poles) CuZn, pre-nickel and gold-plated (12-14 poles)
Housing	Zn diecast, pre-copper and nickel-plated
Seal	CR (flat), EPDM (O-ring)

Mechanical data

Insertion force/contact	≤ 5.0 N ¹
Withdrawal force/contact	≥ 1.2 N (3-8 poles) ≥ 0.9 N (12-14 poles) ¹
Tightening torque connector	1-3 Nm
Tightening torque nut	1-3 Nm
Protection class	IP68 ²

¹ measured with a polished steel pin, nominal thickness 1.5 mm (1.0 mm with 12-14 poles)

² according to IEC DIN EN 60529, only in locked condition with an appropriate counterpart; IPX8 requirements under agreement between manufacturer and user

Connectable conductors for solder area

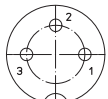
Section	≤ 0.75 mm ² (AWG 20) (3-8 poles) ≤ 0.25 mm ² (AWG 24) (12-14 poles)
---------	--

Electrical data (at T_{amb} 20 °C)

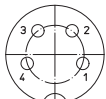
Contact resistance	≤ 5 mΩ
Rated current	5 A (T _{amb} 40 °C, 3-8 poles) 3 A (T _{amb} 40 °C, 12-14 poles)
Rated voltage	with pollution degree 1: 300 V (versions 03, 04, 05-1, 06, 07) 100 V (versions 05, 07-1, 08, 08-1) 160 V (versions 12, 14) with pollution degree 2: 250 V (versions 03, 04) 32 V (versions 05, 07-1, 08, 08-1) 160 V (versions 05-1, 06, 07, 12, 14)
Rated impulse voltage	1500 V (versions 03, 04, 05-1, 06, 07, 12, 14) 500 V (versions 05, 07-1, 08, 08-1)
Material group	II (IEC)/1 (UL) (400 ≤ CTI < 600)
Overvoltage category	I
Insulation resistance	> 100 MΩ

03 0308

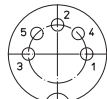
Pin configurations, solder side view



03-a
0308 03



04-a
0308 04



05-b
0308 05



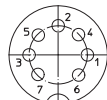
05-a
0308 05-1



06-a
0308 06



07-a
0308 07



07-b
0308 07-1



0308 08



08-a
0308 08-1



12-a
0308 12



14-a
0308 14

Associated products

Counterparts

0331	0332	0332-1
033200	0365	036500

Accessories

0308 C 02	0322 C 16	0381
038199	038799	

- *a O-ring gasket
- *b cup-shaped solder terminal
- *c mounting direction
- *d flat gasket
- *e port in mounting plate
- *f provide for suitable sealing of screws

03

0308

Designation	Pole Number	PU (Pieces)	MDQ (Pieces)
0308 03	3	50	100
0308 04	4	50	100
0308 05	5	50	100
0308 05-1	5	50	100
0308 06	6	50	100
0308 07	7	50	100
0308 07-1	7	50	100
0308 08	8	50	100
0308 08-1	8	50	100
0308 12	12	50	100
0308 14	14	50	100

Packaging:

in a cardboard box