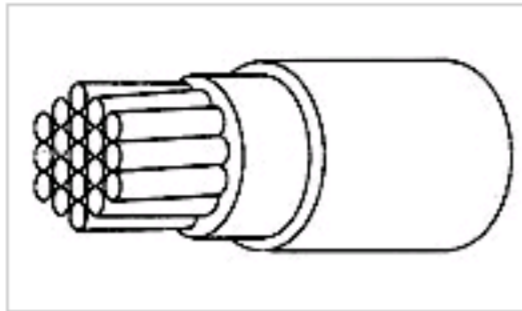




## 99M0111-16-9 Product Details

[Share](#) | [Print](#) | [Email](#)


Active

### Spec 99 and Spec 100 Wire and Cable

99M0111-16-9

**99M0111-16-9**

TE Internal Number: 0281513001

#### Product Highlights [View All](#)

- Cable Type = Spec 99M
- Cable Style = Primary
- Wire Size (AWG or Metric) = 16 AWG [1.23mm<sup>2</sup>]
- Number of Conductors = 1
- Equipment Wire Application

[Pricing & Availability](#)
[Request Sample](#)
[Add to My Part List](#)
[Buy Product through Distributor](#)

[Documents](#) | [Features](#) | [Compliance](#)

**Please Note:**  
Use the Product Drawing for all design activity

#### Product Type Features

Cable Type	Spec 99M
Cable Style	Primary

#### Electrical Characteristics

Wire Size (AWG or Metric)	16 AWG [1.23mm <sup>2</sup> ]
Voltage Rating (VAC)	600

#### Dimensions

Conductor Outer Diameter (mm [in])	1.42 [0.056]
------------------------------------	--------------

#### Body Features

Wire Color	White
Nominal Outside Diameter (mm [in])	1.80 [0.071]
Wire Diameter (mm [in])	1.80 [0.071]
Conductor Type	Tin-Coated Copper

#### Configuration Features

Number of Conductors	1
----------------------	---

#### Industry Standards

RoHS/ELV Compliance	RoHS compliant, ELV compliant
Lead Free Solder Processes	Not relevant for lead free process
RoHS/ELV Compliance History	Always was RoHS compliant

#### Conditions for Usage

Wire Size - Details	16 AWG 1.23 mm <sup>2</sup> , 0.002 in <sup>2</sup> , 19 x 29 AWG
Temperature Range (°C)	-55 - +125

#### Operation/Application

Application	Equipment Wire
-------------	----------------

#### Packaging Features

Wire Source	United Kingdom
-------------	----------------

#### Other

Brand	Raychem
Node Classification	Hook Up Wire

#### Related Products

Not quite the product you're looking for?  
[Find Similar Products](#)

[View Part in Product Feature Selector](#)

[Check for Tooling](#)

#### Corporate Information

- [About TE](#)
- [Investors](#)
- [News Room](#)
- [Supplier Portal](#)
- [Careers](#)
- [Terms of Use of TE.com](#)
- [Privacy Policy](#)
- [Global Accessibility Statement](#)

#### Quick Links

- [Distributor Inventory](#)
- [Product Cross Reference](#)
- [Documents & Drawings](#)
- [Product Compliance Support Center](#)
- [Site Map](#)
- [Terms & Conditions of Sale](#)

#### Customer Support

- [Email or Chat With Us](#)
- [Find a Phone Number](#)
- [Knowledge Base](#)
- [Manage Your Account](#)

#### Keep Me Informed

