


02 0270

Quicklock circular connectors, IP67



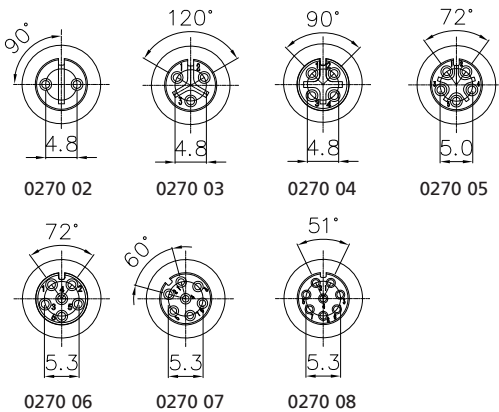
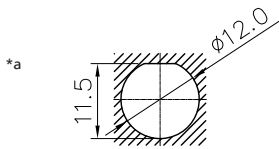
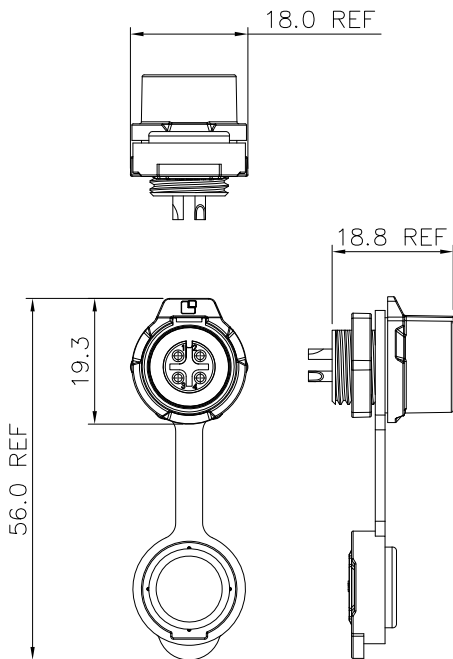
Quicklock chassis socket, IP67, size 12, straight version,  
with plastic housing, solder terminals and protecting cap  
(IP65)

---

Approvals: 

---

02 0270



\*a port

#### Environmental conditions

Temperature range -40 °C/+80 °C

#### Materials

Insulating body	PBT, V-0 according to UL94
Contact bush	CuSn, gold-plated
Housing	PBT, V-0 according to UL94
Cap	SI
Hexagonal nut	PBT, V-0 according to UL94

#### Mechanical data

Mating cycles	1700
Insertion force	≤ 80 N
Withdrawal force	≤ 50 N
Protection class	IP67 (protecting cap IP65)

#### Connectable conductors for solder area

Section	≤ 1.5 mm <sup>2</sup> (2 poles)
	≤ 1.0 mm <sup>2</sup> (3-5 poles)
	≤ 0.75 mm <sup>2</sup> (6-8 poles)

#### Electrical data (at T<sub>amb</sub> 20 °C)

Contact resistance	≤ 10 mΩ
Rated current	5 A (2-6 poles) 3 A (7-8 poles)
Rated voltage	125 V
Rated impulse voltage	1500 V AC
Creepage distance	≥ 1,5 mm
Clearance	≥ 0,5 mm
Insulation resistance	> 500 MΩ

#### Associated products

Counterparts  
☞ 0250

02 0270

Designation	Pole Number	PU (Pieces)	MDQ (Pieces)
0270 02	2	15	60
0270 03	3	15	60
0270 04	4	15	60
0270 05	5	15	60
0270 06	6	15	60
0270 07	7	15	60
0270 08	8	15	60

**Packaging:**

in individual plastic bags, in a cardboard box