

**PLEASE CHECK WWW.MOLEX.COM FOR LATEST PART INFORMATION**

**Part Number:** [0002085101](#)  
**Status:** **Active**  
**Description:** Claspcn™ Crimp Terminal Socket, Tin (Sn) Plated Brass Contact, 16-24 AWG, Reel

**Documents:**

[Drawing \(PDF\)](#) [RoHS Certificate of Compliance \(PDF\)](#)

**Agency Certification**

CSA LR19980  
 UL E29179

**General**

Product Family Crimp Terminals  
 Series [1881](#)  
 Application Power  
 Comments Interleaf Paper Throughout Reel  
 Crimp Quality Equipment Yes  
 Packaging Alternative [02-08-1102 \(Loose\)](#)  
 Product Name Claspcn™  
 UPC 884982640559

**Physical**

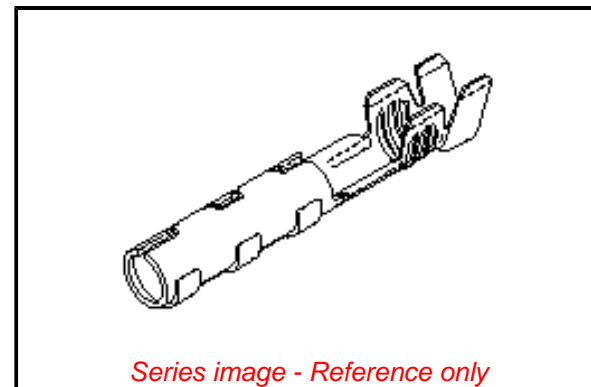
Gender Female  
 Material - Metal Brass  
 Material - Plating Mating Tin  
 Material - Plating Termination Tin  
 Net Weight 0.326/g  
 Packaging Type Reel  
 Plating min - Mating 0.508µm  
 Plating min - Termination 0.508µm  
 Termination Interface: Style Crimp or Compression  
 Wire Insulation Diameter 3.50mm max.  
 Wire Size AWG 16, 18, 20, 22, 24  
 Wire Size mm² N/A

**Material Info**

Engineering Number 1881-2C1A-I

**Reference - Drawing Numbers**

Sales Drawing SD-1881-\*



*Series image - Reference only*

**EU ELV**

**Not Relevant**

**EU RoHS**

**Compliant**

**REACH SVHC**

Not Contained Per -  
 ED/21/2016 (20 June  
 2016)

**Halogen-Free**

**Status**

**Low-Halogen**

**Need more information on product  
 environmental compliance?**

Email [productcompliance@molex.com](mailto:productcompliance@molex.com)  
 Please visit the [Contact Us](#) section for any  
 non-product compliance questions.

|                 |               |
|-----------------|---------------|
| China ROHS      | Green Image   |
| ELV             | Not Relevant  |
| RoHS Phthalates | Not Contained |

**Search Parts in this Series**

[1881](#) Series

**Mates With**

16-06-0005