

Terminal Blocks **entrelec**[®] Screw clamp technology

**Fast
Facts**

Entrelec Terminal blocks by ABB have over 50 years experience in screw clamp connections. A standard system produced in billions of models, this technology can be found on a very wide range of products.

Screw clamp connection technology

The benefits of screw clamp technology: Safety!

The connection's reliability and long life are ensured by:

- The excellent contact press provided by the steel clamp
- High resistance to corrosion offered by dichromate zinc surface treatment
- Any conductor creep compensated by the resilience of the clamp
- High resistance to thread destruction, as the threads are approximately 30% longer than on traditional clamps

ABB clamp

Clamps are made from hardened steel and are anti-corrosion treated. They combine strength and resistance to external attack (high resistance to saline mists) and comply with IEC 68.2.34 standard.

Simplicity

Screw connections are used on all types of products and are recognized by all users. They can also be used for connection flexible conductors of up to 240mm² without ferrules.

Security:

Non Symmetrical blocks

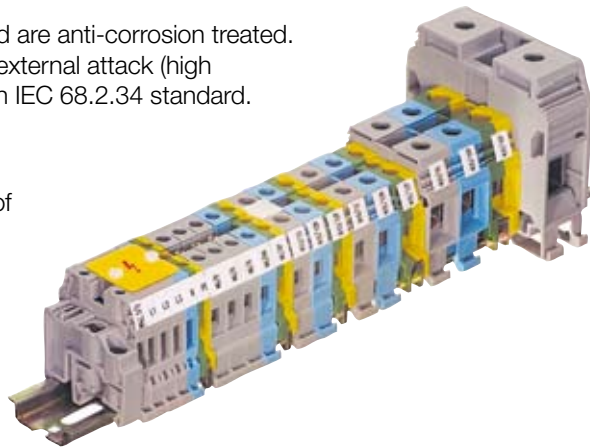
Prevent risk of short-circuit between two blocks due to mounting errors. Further more the locking pin reduces dramatically the risk of reversal as all blocks are attached in the right way.

Screw clamp terminal blocks are: Flexible

- Large wire range (up to 300mm²)
- Connection of solid or stranded wires (with or without ferrules)
- Two identical wires (maximum) per clamp
- Flat bottom design to accept small wires (<0.2mm²)

Screw clamp range

- Most popular: 5mm to 16mm spacing
- Same profile: Esthetic/functional
- Only one end plate for the four most popular sizes
- Multi profile rail – TS35/F6, TS35/CF6, TS32, etc.



Screw Clamp
terminal blocks

The Benefits

- Anti-corrosion treated
- Unique anti-release system
- Same profile – four popular sizes
- Locking pin

ABB

Locking pin

- Simple and rapid to use for locking up to ten blocks in position at a time ①
- Improved storage ②
- Does not prevent individual blocks from being removed ③
- Eliminates any risk of mistake during assembly



Multi-function channels

With the central multifunction channel, test plugs and jumpers bars and labeling can be put in place.

Insulating material

- Insulating material is in a polyamide and contains no asbestos, cadmium, phosphor or halogen elements
- Manufactured to the highest standards (thermal resistance from -40 to +110°C) and with its self-extinguishing capacities it complies with European directives (incandescent wire resistance in compliance with IEC standard 06095.2.11)
- Available in a wide variety of colors

Labeling

Blocks can be identified using pre-printed or custom made markers.

Alignment

Blocks are positioned side-by-side for an aesthetic and functional final set-up that only requires one type of flange. The blocks are slightly asymmetrical to avoid any mistake when mounting on DIN rail.

RECOMMENDED STOCKING PACKAGES SCREW CONNECTION

PART NUMBER	DESCRIPTION	DISTR MIN PURCHASE
011511607	M4/6 TERMINAL	500
011511811	M6/8 TERMINAL	500
011512017	M10/10 TERMINAL	250
011836816	END SECTION FEM6	100
016511316	M4/6P TERMINAL	50
016511417	M4/8P TERMINAL	50
010306221	END SECTION FEM6 YELLOW	20
011512407	M35/16 TERMINAL	20
011823327	END SECTION FEM16	20
011512914	M16/12 TERMINAL	20
011861801	END SECTION FEM12	20
011527122	M4/6.D2 TERMINAL	50
011849923	END SECTION FEM6D	20
011565725	M4/8SF	50
011566121	M4/8SFL	50
011566323	M4/8SFD	50
011695115	FEM6S END SECTION	20
019909513	ML10/13SF	20
019916800	ML10/13SFL 110/230V	20
019963524	FEM 13U END SECTION	10
011643813	DL10/17.5SF	10
035620021	BRU160A DIST BLOCK	1
035620411	BRU125A DIST BLOCK	1
035620926	BRT115A 3 POLE DIST BLOCK	1
035621021	BRT175A 3 POLE DIST BLOCK	1

