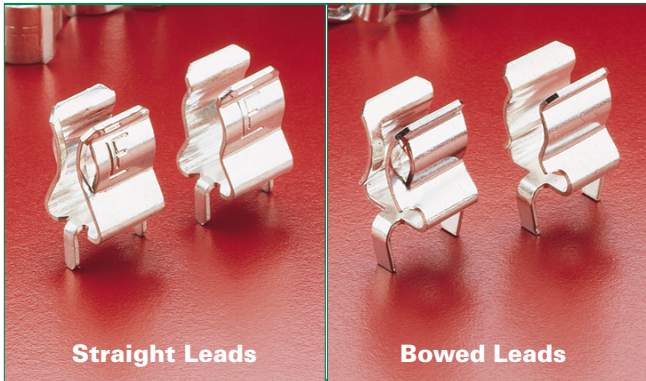


## 102/122 Series Circuit Board Mount Fuse Clips for 1/4" Diameter Fuses



**Straight Leads**

**Bowed Leads**

### Agency Approval

Agency	Agency File Number	
	102 Series	122 Series
	E14721	

### Additional Information



**Datasheet  
102 Series**



**Resources  
102 Series**



**Samples  
102 Series**



**Datasheet  
122 Series**



**Resources  
122 Series**

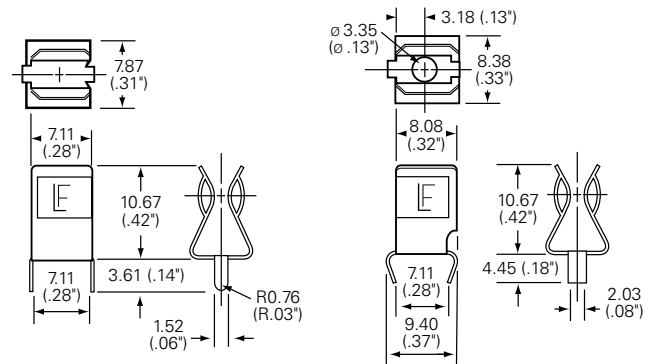


**Samples  
122 Series**

### Product Characteristics

	102 Series	122 Series
<b>Compatible Fuse Size</b>	<b>1/4" Diameter Fuses 312, 313, 314, 326 Series</b>	
<b>Current Level</b>	15 amperes max	30 amperes max

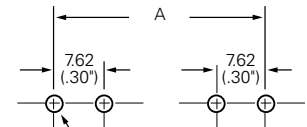
### Product Dimensions



**Straight Leads**

**Bowed Leads**

Nominal Fuse Length	"A" Length
5/8	.750
3/4	.875
7/8	1.000
1	1.125
1 1/16	1.187
1 1/4	1.347
1 7/16	1.562



1.98 (.078") DIA. Holes - Straight Leads  
2.54 (.100") DIA. Holes - Bowed Leads

### Recommended Mounting Dimensions

### Ordering Information

Ordering PN *	Catalog No.	Clip Material	Plating	Style	Packaging Available
<b>Traditional Clips</b>					
0102 0071	102 071	Spring Brass	Tin-plated	Ear	Z
0102 0074	102 074	Spring Brass	Tin-plated	Earless	Z
0102 0076	102 076	Spring Brass	Hot Tin	Ear	Z
0122 0083	122 083	Beryllium Copper	Silver-plated	Ear	Z
0122 0087	122 087	Beryllium Copper	Silver-plated	Earless	Z
0122 0088	122 088	Beryllium Copper	Tin-plated	Ear	H and Z
0122 0093	122 093	Beryllium Copper	Tin-plated	Earless	Z
<b>Bowed Tab Clips</b>					
0102 0078	102 078	Spring Brass	Tin-plated	Earless	H and Z
0102 0079	102 079	Spring Brass	Tin-plated	Ear	Z

**\*Add Suffix to the Ordering PN for Packaging:**

"H" = std. package 100 pcs per pack  
"N" = std. package 5000 pcs per pack  
"Z" = for bulk package