



McGILL® SWITCHES



Contents

| | |
|---|-----|
| Introduction | 213 |
| McGill Rocker Switches | 214 |
| McGill Toggle and Pushbutton Switches | 228 |
| Agency Recognition | 236 |



McGILL

Since 1906, McGill switches have provided customers with quality and innovation. Our switches are used in both major and small appliances; electronic products; heating, ventilation and air conditioning (HVAC) units; lawn and garden equipment; recreational vehicles and other applications.

A diverse range of McGill products offers customers the flexibility and convenience of using one source for rocker, toggle and pushbutton switches. A variety of industries choose our standard and custom design switches for their products because of our proven track record for quality craftsmanship and responsiveness to unique requirements. Customers can easily choose custom features to meet special design needs.

As a product group of Therm-O-Disc, a subsidiary of Emerson, McGill switches offer a tradition of high quality and a history of service. Since 1947, Therm-O-Disc has been a recognized leader in the design and manufacture of temperature sensors and controls for the appliance, HVAC, automotive and electronic industries. The Therm-O-Disc product line includes a wide range of bimetal disc temperature controls, thermal cutoffs and special purpose electronic and electromechanical sensors and controls.

Our experienced engineers and sales representatives are ready to help you determine which McGill products can best meet your needs. For more information on the products described in this catalog or to discuss your custom needs, call a McGill representative at: (419) 525-8300 or visit www.thermodisc.com.



McGILL ROCKER SWITCHES

McGill offers more than a dozen rocker switch lines to meet your application needs. Our designs come in a variety of styles, so you can have the function you require and the look you want.

Choose from our standard rockers or contact your McGill representative for assistance in designing a customized rocker to meet your mechanical, electrical or aesthetic requirements.

Choose from:

- Contemporary “Euro-style” designs
- Standard or miniature sizes
- Lighted, non-lighted or paddle actuators
- Special lock-out actuators
- One to four poles
- Dual circuits
- Snap-in or screw mounting
- Variety of colors and finishes
- Screw, solder, spade or leaded terminations
- UV-stabilized constructions
- Environmental barriers
- Variety of circuit arrangements
- Matching indicator lights

McGill rocker switches are used in a variety of industries, including major and small appliance, marine, HVAC, automotive, power tool, business equipment and commercial food service. Whether you require snap-in or screw mounting, McGill can provide a rocker to meet your panel mounting needs.

McGILL 0852, 0862 Series Euro-Style Rocker Switches



The McGill 0852, 0862 series feature the patented Euro-design rocker and bezel for applications where aesthetics are as important as functionality. Available with a variety of circuit, termination and lamp configurations, the 0852 or 0862 series can be configured to fit almost any requirement.

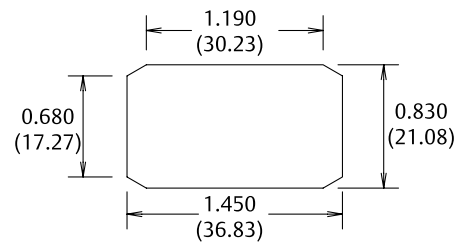
Specifications

- UL recognized, CSA certified
 - 15A, 277VAC
 - 3/4 HP, 125-277VAC
- VDE approval available
- 125V and 250VAC neon lamps available
- 14V and 28VDC incandescent lamps available

Construction

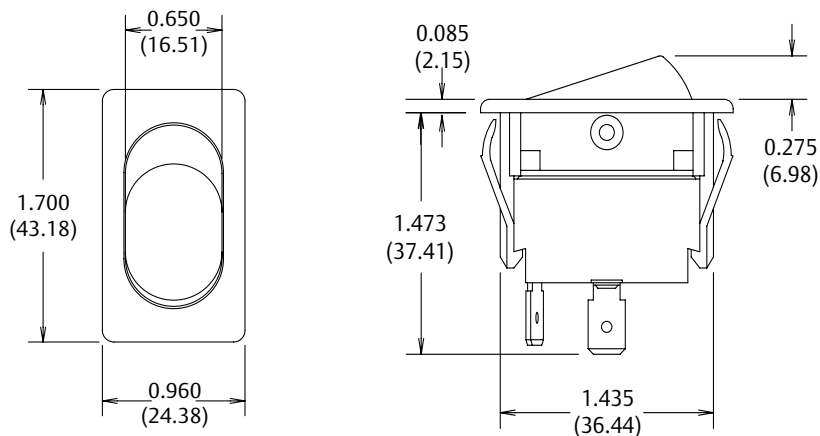
- .250 x .032 spade terminals
- .187 spade terminals, screw terminals, solder terminals and 16-gauge wire leads are also available. Consult factory for other circuits, colors or custom designs.

Panel Opening

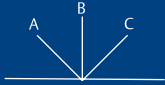


Panel Thickness

.040 (1.02) – .187 (4.75)



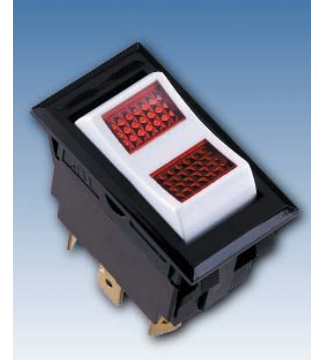
Approximate dimensions in inches and (millimeters).

| | Circuit Arrangement | | | Rocker/ Lens Color | Lamp Voltage | Cat. No. | | |
|--------------------|---|-----|-----|-----------------------|-----------------|-------------|-------------|-----------|
| |  | | | | | Single Pole | Double Pole | |
| | A | B | C | | | | | |
| Unlighted Versions | on | — | off | white | — | 0852-0001 | 0862-0001 | |
| | on | off | on | white | — | 0852-0002 | 0862-0002 | |
| | on | — | on | white | — | 0852-0003 | 0862-0003 | |
| | (on) | — | off | white | — | 0852-0004 | 0862-0004 | |
| | on | — | off | black | — | 0852-0011 | 0862-0011 | |
| | on | off | on | black | — | 0852-0012 | 0862-0012 | |
| | on | — | on | black | — | 0852-0013 | 0862-0013 | |
| | (on) | — | off | black | — | 0852-0014 | 0862-0014 | |
| | on | — | off | red | — | 0852-0021 | 0862-0021 | |
| | on | off | on | red | — | 0852-0022 | 0862-0022 | |
| | on | — | on | red | — | 0852-0023 | 0862-0023 | |
| | (on) | — | off | red | — | 0852-0024 | 0862-0024 | |
| | Lighted Versions | on | — | off | white/clear | 125V | 0852-1101 | 0862-1101 |
| | | on | — | off | white/red | 125V | 0852-1301 | 0862-1301 |
| on | | — | off | white/green | 125V | 0852-1401 | 0862-1401 | |
| on | | — | off | black/clear | 125V | 0852-1111 | 0862-1111 | |
| on | | — | off | black/red | 125V | 0852-1311 | 0862-1311 | |
| on | | — | off | black/green | 125V | 0852-1411 | 0862-1411 | |
| on | | — | off | red/clear | 125V | 0852-1121 | 0862-1121 | |
| on | | — | off | red/red | 125V | 0852-1321 | 0862-1321 | |
| on | | off | on | white/clear | 125V | 0852-2102 | 0862-2102 | |
| on | | off | on | white/red | 125V | 0852-2302 | 0862-2302 | |
| on | | off | on | white/green | 125V | 0852-2402 | 0862-2402 | |
| on | | off | on | black/clear | 125V | 0852-2112 | 0862-2112 | |
| on | | off | on | black/red | 125V | 0852-2312 | 0862-2312 | |
| on | | off | on | black/green | 125V | 0852-2412 | 0862-2412 | |
| on | | off | on | red/clear | 125V | 0852-2122 | 0862-2122 | |
| on | | off | on | red/red | 125V | 0852-2322 | 0862-2322 | |
| on | | — | on | white/clear | 125V | 0852-2103 | 0862-2103 | |
| on | | — | on | white/red | 125V | 0852-2303 | 0862-2303 | |
| on | | — | on | white/green | 125V | 0852-2403 | 0862-2403 | |
| on | | — | on | black/clear | 125V | 0852-2113 | 0862-2113 | |
| on | | — | on | black/red | 125V | 0852-2313 | 0862-2313 | |
| on | | — | on | black/green | 125V | 0852-2413 | 0862-2413 | |
| on | | — | on | red/clear | 125V | 0852-2123 | 0862-2123 | |
| on | | — | on | red/red | 125V | 0852-2323 | 0862-2323 | |
| on | | — | off | black/clear | 14V | 0852-4111 | 0862-4111 | |
| on | | — | off | black/red | 14V | 0852-4311 | 0862-4311 | |
| on | | off | on | black/clear | 14V | 0852-4112 | 0862-4112 | |
| on | | off | on | black/red | 14V | 0852-4312 | 0862-4312 | |
| on | | — | off | black/clear | 28V | 0852-5111 | 0862-5111 | |
| on | | — | off | black/red | 28V | 0852-5311 | 0862-5311 | |
| on | | off | on | black/clear | 28V | 0852-5112 | 0862-5112 | |
| on | | off | on | black/red | 28V | 0852-5312 | 0862-5312 | |

() Momentary

NOTE: For single pole versions, lamp illuminates under depressed portion of actuator. For double pole versions, lamp illuminates opposite depressed portion of actuator. Independent lamps not available on DPDT versions.

McGILL 0851, 0861 Series Traditional Style Rocker Switches



The McGill 0851, 0861 series feature a traditional rocker design with a variety of circuits, terminations and lamp configurations. The 0851 or 0861 series offer angle or curved rockers in a wide selection of colors and finishes to fit your application requirements.

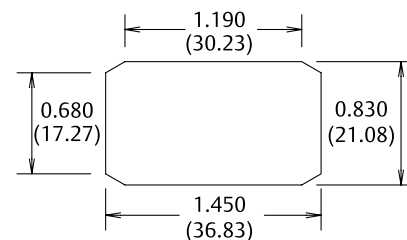
Specifications

- UL recognized, CSA certified
 - 15A, 277VAC
 - 3/4 HP, 125-277VAC
- VDE approval available
- 125V and 250VAC neon lamps available
- 14V and 28VDC incandescent lamps available

Construction

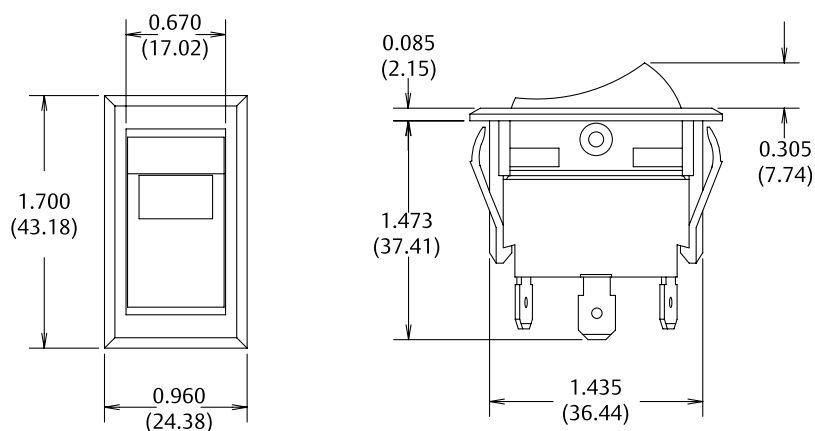
- .250 x .032 spade terminals
- .187 spade terminals, screw terminals, solder terminals and 16-gauge wire leads are also available. Consult factory for other circuits, colors or custom designs.

Panel Opening



Panel Thickness

.040 (1.02) – .187 (4.75)



Approximate dimensions in inches and (millimeters).



0851 and 0861 Traditional Style Rocker Switches Black Bezel, White Rocker, Red Lens*

| Circuit Arrangement | | | Lights | SINGLE POLE | | DOUBLE POLE | |
|---------------------|-----|-------|--------|-------------|-----------|-------------|-----------|
| A | B | C | | Poles | Cat. No. | Poles | Cat. No. |
| on | — | off | 1 | SPST | 0851-1301 | DPST | 0861-1301 |
| on | off | on | 2 | SPDT | 0851-2302 | DPDT | 0861-2302 |
| on | — | on | 2 | SPDT | 0851-2303 | DPDT | 0861-2303 |
| (on) | — | off | 1 | SPST | 0851-1304 | DPST | 0861-1304 |
| (on) | off | (on) | 2 | SPDT | 0851-2305 | DPDT | 0861-2305 |
| (on) | off | on | 2 | SPDT | 0851-2306 | DPDT | 0861-2306 |
| on | — | (off) | 1 | SPST | 0851-1307 | DPST | 0861-1307 |
| (on) | — | on | 2 | SPDT | 0851-2308 | DPDT | 0861-2308 |

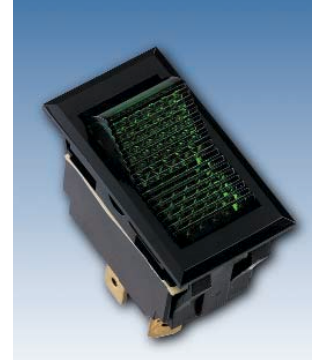
() Momentary

* To order unlighted switch with solid white curved rocker, change the 5th and 6th digits of the catalog number to "0"
(example: 0861-00XX).

NOTE: For single pole versions, lamp illuminates under depressed portion of actuator. For double pole versions, lamp illuminates opposite depressed portion of actuator. Independent lamps not available on DPDT versions.

McGILL 0871, 0881 Series

Snap-Cap Style Rocker Switches

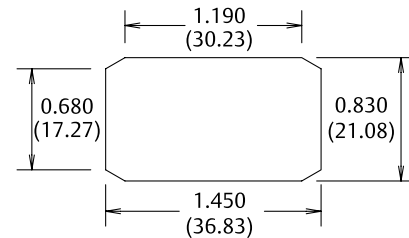


The McGill 0871, 0881 series feature interchangeable rocker caps for applications where a variety of rocker combinations are required. Available with a variety of circuits, terminations and lamp configurations, the 0871 or 0881 series offer the added flexibility of snap-on colored caps in curved, half-serrated or full-serrated configurations.

Specifications

- UL recognized, CSA certified
 - 15A, 277VAC
 - 3/4 HP, 125-277VAC
- VDE approval available
- 125V and 250VAC neon lamps available
- 14V and 28VDC incandescent lamps available

Panel Opening



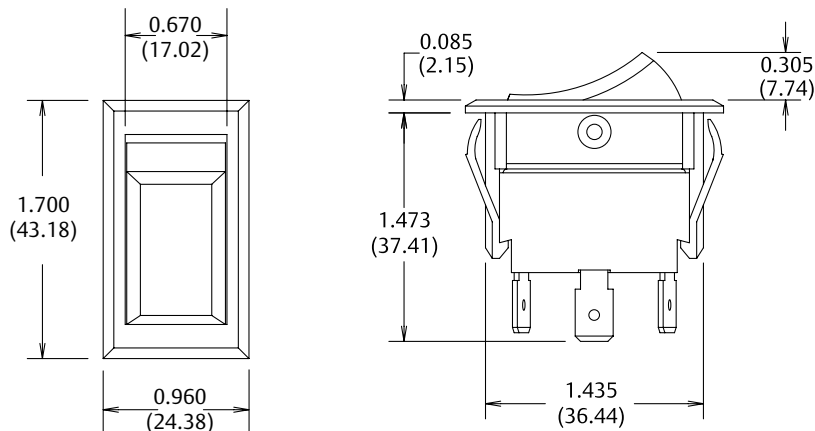
Panel Thickness

.040 (1.02) – .187 (4.75)

Construction

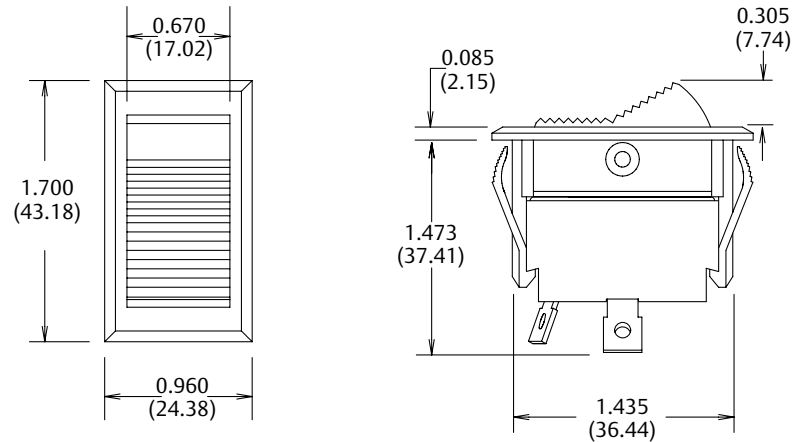
- .250 x .032 spade terminals
- .187 spade terminals, screw terminals, solder terminals and 16-gauge wire leads are also available. Consult factory for other circuits, colors or custom designs.

Curved Cap Version



Approximate dimensions in inches and (millimeters).

Serrated Cap Version



0871 and 0881 Snap-Cap Style Rocker Switches Black Bezel, without Snap-On Colored Caps*

| Circuit Arrangement | | | Lights | SINGLE POLE | | DOUBLE POLE | |
|---------------------|-----|-------|--------|-------------|-----------|-------------|-----------|
| A | B | C | | Poles | Cat. No. | Poles | Cat. No. |
| on | — | off | 1 | SPST | 0871-1601 | DPST | 0881-1601 |
| on | off | on | 2 | SPDT | 0871-2602 | DPDT | 0881-2602 |
| on | — | on | 2 | SPDT | 0871-2603 | DPDT | 0881-2603 |
| (on) | — | off | 1 | SPST | 0871-1604 | DPST | 0881-1604 |
| (on) | off | (on) | 2 | SPDT | 0871-2605 | DPDT | 0881-2605 |
| (on) | off | on | 2 | SPDT | 0871-2606 | DPDT | 0881-2606 |
| on | — | (off) | 1 | SPST | 0871-1607 | DPST | 0881-1607 |
| (on) | — | on | 2 | SPDT | 0871-2608 | DPDT | 0881-2608 |

() Momentary

* To order unlighted switch (no rocker cap), change the 5th digit of the catalog number to "0" (example: 0861-06XX).

Snap-On Colored Caps

| Color | Full Cap Serrated | 1/2 Cap Serrated | Curved Full Satin Clear Cap |
|--------|-------------------|------------------|-----------------------------|
| white | 0871-0000 | 0871-0010 | 0871-0020 |
| clear | 0871-0100 | 0871-0110 | 0871-0120 |
| amber | 0871-0200 | 0871-0210 | 0871-0220 |
| red | 0871-0300 | 0871-0310 | 0871-0320 |
| green* | 0871-0400 | 0871-0410 | 0871-0420 |
| blue* | 0871-0500 | 0871-0510 | 0871-0520 |
| black | 0871-0800 | 0871-1810 | — |

* Green and blue caps require special lamps; consult factory.

McGILL 0801, 0811, 0821, 0831 Series Metal-Mount Style Rocker Switches



The McGill 0801, 0811, 0821 and 0831 series feature industrial grade construction with electrical ratings up to 25A @ 277VAC. Available with a variety of screw or snap mount metal brackets, the 0801, 0811 series (maintained circuit) and 0821, 0831 series (momentary circuit) provide a robust design for the requirements of industrial type applications.

Specifications

0801/0811 Series

- UL recognized
 - 20A, 277VAC
 - 1 1/2 HP, 125-250VAC
- CSA certified
 - 16A, 277VAC
 - 1 1/2 HP, 125-250VAC

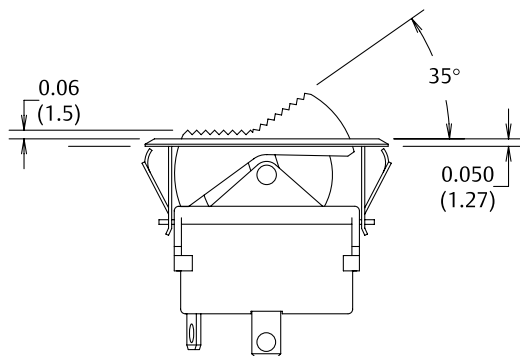
0821/0831 Series

- UL recognized
 - 15A, 277VAC
 - 3/4 HP, 125-277VAC
- CSA certified
 - 15A, 277VAC
 - 3/4 HP, 125-250VAC

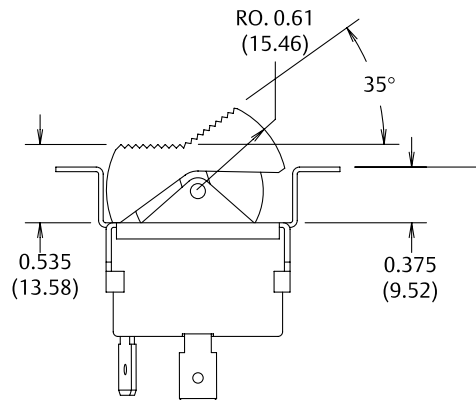
Construction

- All standard models have .250 x .032 spade terminals and white actuators. Coverplate versions have .375 offset, 1.625 centered 2-hole mounting.
- .187 spade terminals, solder terminals and 16-gauge wire leads are also available. Consult factory for other circuits, colors or custom designs.

Snap-In Version



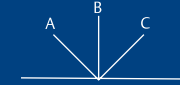
Coverplate Version



Approximate dimensions in inches and (millimeters).

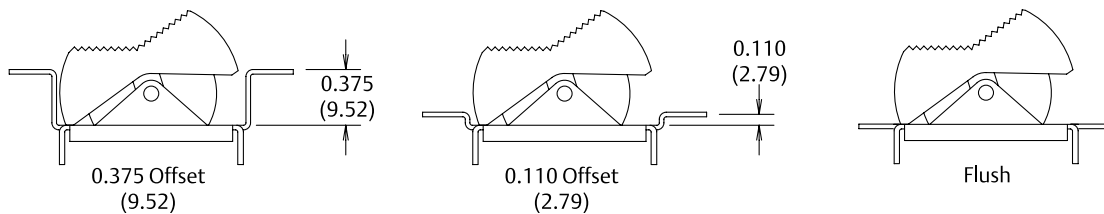


Metal-Mount Standard Models

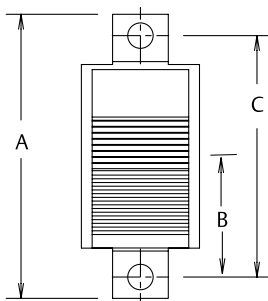
| Circuit Arrangement  | | | SINGLE POLE | | | DOUBLE POLE | | |
|--|-----|-------|-------------|-------------------------|---------------|-------------|-------------------------|---------------|
| | | | Poles | Cat. No. | | Poles | Cat. No. | |
| A | B | C | | .375" Offset Coverplate | Snap-in Bezel | | .375" Offset Coverplate | Snap-in Bezel |
| on | — | off | SPST | 0801-0310 | 0801-1310 | DPST | 0811-0310 | 0811-1310 |
| on | off | on | SPDT | 0801-0311 | 0801-1311 | DPDT | 0811-0311 | 0811-1311 |
| on | — | on | SPDT | 0801-0312 | 0801-1312 | DPDT | 0811-0312 | 0811-1312 |
| (on) | — | off | SPST | 0821-0313 | 0821-1313 | DPST | 0831-0313 | 0831-1313 |
| (on) | off | (on) | SPDT | 0821-0314 | 0821-1314 | DPDT | 0831-0314 | 0831-1314 |
| (on) | off | on | SPDT | 0821-0316 | 0821-1316 | DPDT | 0831-0316 | 0831-1316 |
| on | — | (off) | SPST | 0821-0317 | 0821-1317 | DPST | 0831-0317 | 0831-1317 |
| (on) | — | on | SPDT | 0821-0318 | 0821-1318 | DPDT | 0831-0318 | 0831-1318 |

() Momentary

Coverplate Variations



Approximate dimensions in inches and (millimeters).



| Coverplate | Mounting Holes | A | B | C |
|--------------|----------------|--------|--------|--------|
| Flush | .171" dia. | 2.500" | 1.000" | 2.000" |
| | tap 6 - 32 | 1.912" | .812" | 1.625" |
| .110" offset | .171" dia. | 2.500" | 1.000" | 2.000" |
| | tap 6 - 32 | 1.912" | .812" | 1.625" |
| .375" offset | .171" dia. | 2.500" | 1.000" | 2.000" |
| | tap 6 - 32 | 1.912" | .812" | 1.625" |

McGILL 0815 Series

Miniature Style Rocker Switches

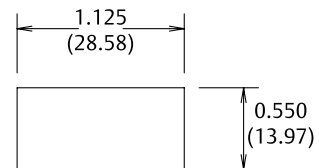


Miniature rocker switches feature plastic snap-in bezels for easy installation. Illuminated, smooth, two-surface or Stylette™ solid rockers are available to fit your specifications.

Specifications

- UL recognized, CSA certified
 - 12A, 125VAC
 - 5A, 277VAC
 - 1/2 HP, 125-250VAC
- 125VAC Neon Lamp Standard; lamp voltage will determine the switch voltage rating.

Panel Opening



Panel Thickness

.030 (0.76) – .250 (6.35)

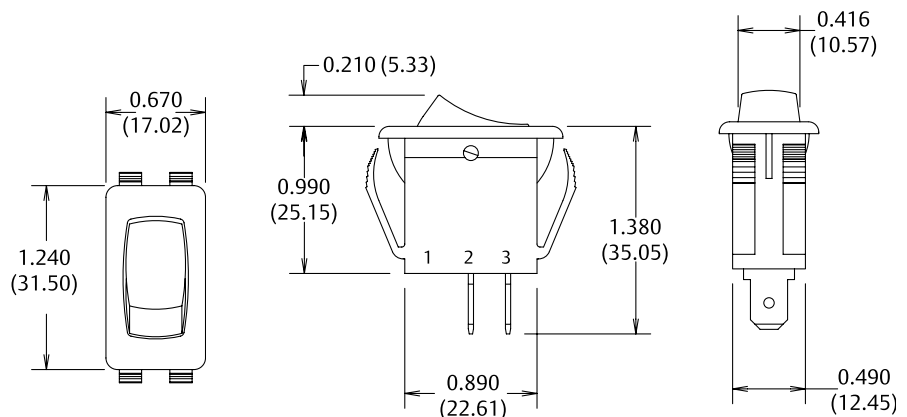
Also Available

- 16A, 125VAC
- 10A, 250VAC
- 10A, 30VDC
- VDE Approval (unlighted)

Construction

- .250 x .032 spade terminals are standard.
- 16-gauge wire leads are also available. Consult factory for other circuits, colors or custom designs.

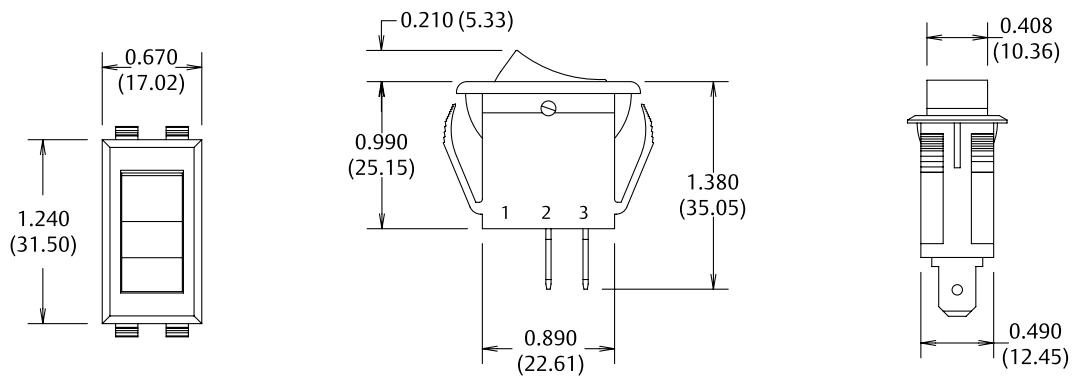
Stylette



Approximate dimensions in inches and (millimeters).



Two-Surface Smooth



Approximate dimensions in inches and (millimeters).

0815 Series Miniature Lighted and Unlighted Rocker Switches

| Circuit Arrangement | | | Poles | Rocker Description | Bezel Color | Rocker Color | Cat. No. |
|---------------------|-----|-----|-------|--------------------|--------------|-------------------|-----------|
| A | B | C | | | | | |
| on | — | off | SPST | 2-surface Smooth | black glossy | white glossy | 0815-1213 |
| on | — | on | SPDT | 2-surface Smooth | black glossy | white glossy | 0815-1243 |
| on | off | on | SPDT | 2-surface Smooth | black glossy | white glossy | 0815-1253 |
| on | — | off | SPST | lighted—125VAC | black glossy | red polycarbonate | 0815-5213 |
| on | — | off | SPST | Stylette | black matte | black matte | 0815-2213 |
| on | — | on | SPDT | Stylette | black matte | black matte | 0815-2243 |
| on | off | on | SPDT | Stylette | black matte | black matte | 0815-2253 |

McGILL 0820, 0890 Series Indicator Lights



McGill's indicator lights are ideal for machine, instrument, switch control panels, automotive, bus, RV, marine and appliance industries. The 0820 and 0890 series feature a matte finish, and the 0820 has a smooth rounded bezel for a distinct Euro-style look.

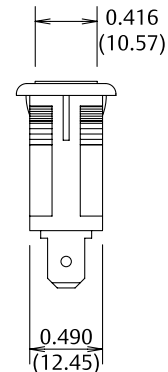
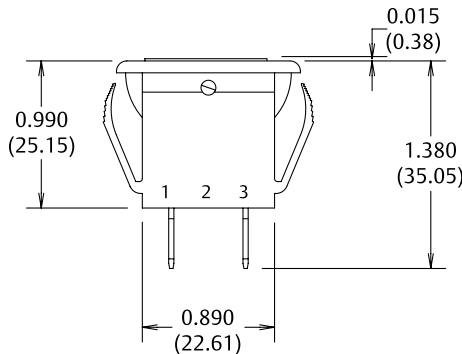
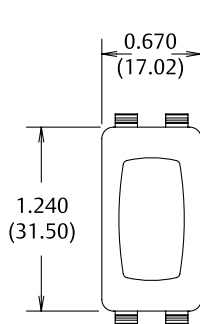
Specifications

- UL recognized, CSA certified
- Choice of 14V or 28V incandescent or 125V neon lamps

Construction

- Available in red, green, amber and clear lens color.
- .250 x .032 spade terminals are standard.

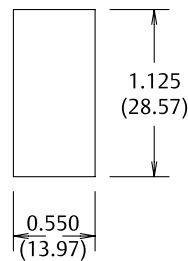
0820 Series



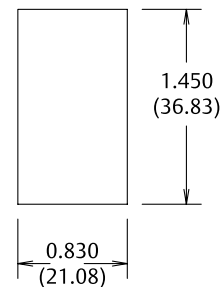
Approximate dimensions in inches and (millimeters).

Panel Opening

0820



0890



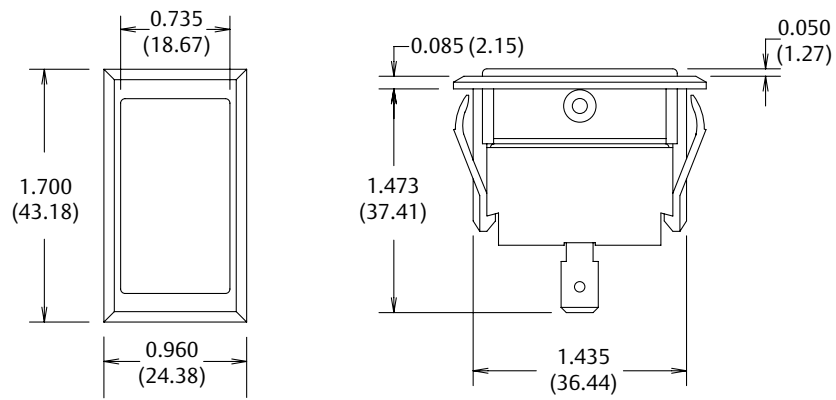
Panel Thickness

0820 .030 (0.76) – .250 (6.35)

0890 .040 (1.02) – .187 (4.76)



0890 Series



Approximate dimensions in inches and (millimeters).

| Lens Color | Lamp Voltage | Cat. No. 0820 Miniature Series | Cat. No. 0890 Standard Series |
|------------|--------------|-----------------------------------|----------------------------------|
| white | 14V | 0820-0001 | 0890-0001 |
| amber | 14V | 0820-0002 | 0890-0002 |
| red | 14V | 0820-0003 | 0890-0003 |
| green | 14V | 0820-0004 | 0890-0004 |
| white | 28V | 0820-1001 | 0890-1001 |
| amber | 28V | 0820-1002 | 0890-1002 |
| red | 28V | 0820-1003 | 0890-1003 |
| green | 28V | 0820-1004 | 0890-1004 |
| white | 125VAC | 0820-2001 | 0890-2001 |
| amber | 125VAC | 0820-2002 | 0890-2002 |
| red | 125VAC | 0820-2003 | 0890-2003 |
| green | 125VAC | 0820-2004 | 0890-2004 |

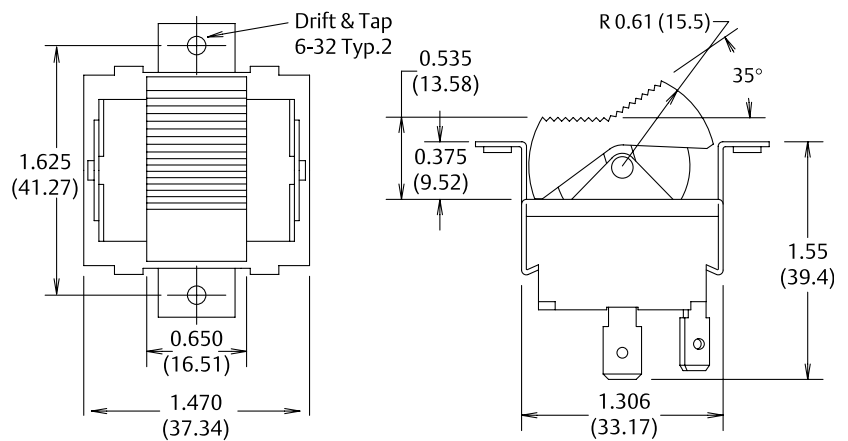
McGILL 0840 Series

3 and 4 Pole Style Rocker Switches



Specifications

- UL recognized
 - 17A, 277VAC
 - 1 HP, 125VAC
 - 2 HP, 250VAC
 - 1, 2 or 3 Phase
- CSA certified
 - 17A, 277VAC
 - 1 HP, 125VAC
 - 2 HP, 250VAC
 - 1, 2 or 3 Phase



Approximate dimensions in inches and (millimeters).

Construction

- All standard models cataloged below have .375 offset, 1.625 centered 2-hole mounting, .250 x .032 spade terminals and white actuators.
- .187 spade terminals, screw terminals, solder terminals and 14-gauge wire leads are also available. Consult factory for other circuits, colors or custom designs.

| Circuit Arrangement | | | THREE-POLE | | FOUR-POLE | |
|---------------------|-----|------|------------|-----------|-----------|-----------|
| | | | Poles | Cat. No. | Poles | Cat. No. |
| on | — | off | 3PST | 0840-3101 | 4PST | 0840-4101 |
| (on) | — | off | 3PST | 0840-3102 | 4PST | 0840-4102 |
| on | — | on | 3PDT | 0840-3103 | 4PDT | 0840-4103 |
| on | off | on | 3PDT | 0840-3104 | 4PDT | 0840-4104 |
| (on) | off | (on) | 3PDT | 0840-3105 | 4PDT | 0840-4105 |
| on | off | (on) | 3PDT | 0840-3106 | 4PDT | 0840-4106 |

() Momentary

McGILL TOGGLE SWITCHES AND PUSHBUTTON SWITCHES



McGill's complete line of toggle switches and pushbutton switches are constructed with the highest quality standards of components and design to provide you with excellent function and a wide choice of styles. Our wide selection of circuitries and design choices for bat shapes, materials and colors enables you to choose the style that best meets your needs. We also offer double pole, single throw and single pole, single throw momentary pushbutton switches.

Choose from:

- Variety of bat styles
- One to four poles
- Optional "O" ring in bushing for moisture resistance
- Screw, solder, spade or leaded terminations

McGill toggle switches and pushbutton switches can be found in industrial, commercial and consumer products, including major appliance, small appliance, marine, power tool and HVAC applications. Let McGill configure our standard toggles to meet specific application needs, or contact our McGill representative for a custom design.

McGILL 0090 Series Single Pole Toggle Switches

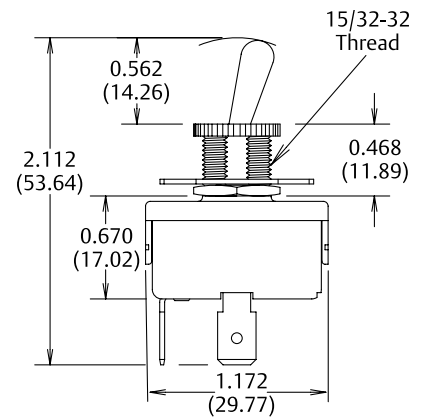
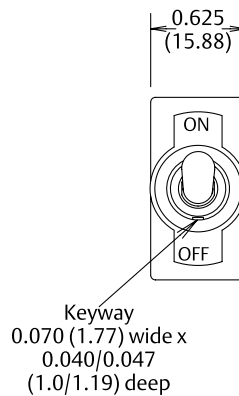


Specifications

- UL recognized, CSA certified
 - 20A, 125VAC
 - 10A, 250VAC
 - 1 HP, 125-250VAC
 - 20A, 250VAC (non-inductive)
- Suitable for 20A, 12VDC applications

Construction

- .250 x .032 spade, solder and screw terminals.
- 16-gauge wire leads are also available. Consult factory for other circuits or custom designs.
- Available with rubber “O” ring to resist moisture or splashing liquids.



Approximate dimensions in inches and (millimeters).

| Circuit Arrangement | | | 20A | | | |
|---------------------|-----|------|----------|----------------|-----------------|---------------------|
| | | | Cat. No. | | | |
| | | | Poles | Screw Terminal | Solder Terminal | .250 Spade Terminal |
| on | — | off | SPST | 90-0001 | 90-0002 | 90-0003 |
| on | off | on | SPDT | 91-0001 | 91-0002 | 91-0003 |
| on | — | on | SPDT | 92-0001 | 92-0002 | 92-0003 |
| (on) | off | (on) | SPDT | 93-0001 | 93-0002 | 93-0003 |
| on | off | (on) | SPDT | 93-1001 | 93-1002 | 93-1003 |
| (off) | — | on | SPST | 93-2001 | 93-2002 | 93-2003 |
| (on) | — | off | SPST | 93-3001 | 93-3002 | 93-3003 |
| on | — | (on) | SPDT | 93-4001 | 93-4002 | 93-4003 |

() Momentary

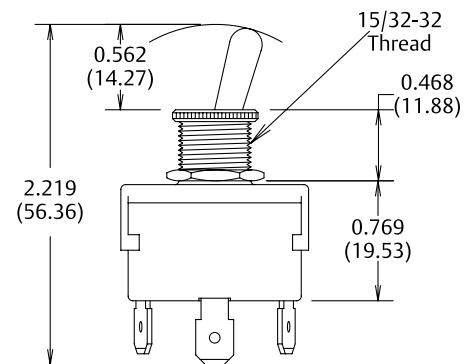
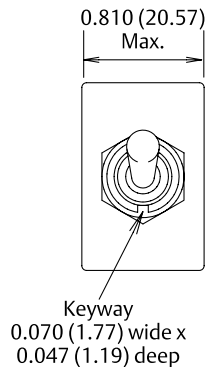
NOTE: Mounting hardware and terminal screws (where applicable) furnished unassembled. Mounting hardware consists of one plated hex nut and knurl nut. Indicating plate is also furnished for maintained ON-OFF circuits.

McGILL 0121 Series Double Pole Toggle Switches



Specifications

- UL recognized, CSA certified
 - 15A, 277VAC
 - 3/4 HP, 125-277VAC
- Suitable for 15A, 12VDC applications
- 20A Rating Applies to 0121-7000 Series
 - 20A, 277VAC
 - 1 HP, 125-277VAC



Construction

Approximate dimensions in inches and (millimeters).

- .250 x .032 spade, solder and screw terminals.
- 16-gauge wire leads are also available. Consult factory for other circuits or custom designs.
- Available with rubber "O" ring to resist moisture or splashing liquids.

| Circuit Arrangement | | | | Poles | Cat. No. | | |
|---------------------|-------|-----|----------------|-------|-----------------|---------------------|-----------|
| A | B | C | Screw Terminal | | Solder Terminal | .250 Spade Terminal | |
| 15A | on | — | off | | DPST | 0121-0001 | 0121-0017 |
| | on | off | on | DPDT | 0121-0002 | 0121-0018 | 0121-0010 |
| | on | — | on | DPDT | 0121-0003 | 0121-0019 | 0121-0011 |
| | (on) | off | (on) | DPDT | 0121-0004 | 0121-0020 | 0121-0012 |
| | (on) | — | off | DPST | 0121-0005 | 0121-0021 | 0121-0013 |
| | on | — | (on) | DPDT | 0121-0006 | 0121-0022 | 0121-0014 |
| | on | off | (on) | DPDT | 0121-0007 | 0121-0023 | 0121-0015 |
| | (off) | — | on | DPST | 0121-0043 | 0121-0045 | 0121-0044 |
| 20A | on | — | off | DPST | 0121-7001 | 0121-7017 | 0121-7000 |
| | on | off | on | DPDT | 0121-7004 | 0121-7014 | 0121-7010 |
| | on | — | on | DPDT | 0121-7005 | 0121-7013 | 0121-7006 |
| | (on) | off | (on) | DPDT | 0121-7039 | 0121-7058 | 0121-7055 |
| | on | off | (on) | DPDT | 0121-7043 | 0121-7059 | 0121-7045 |
| | (on) | — | off | DPST | 0121-7056 | 0121-7060 | 0121-7018 |
| | on | — | (on) | DPDT | 0121-7057 | 0121-7061 | 0121-7046 |

() Momentary

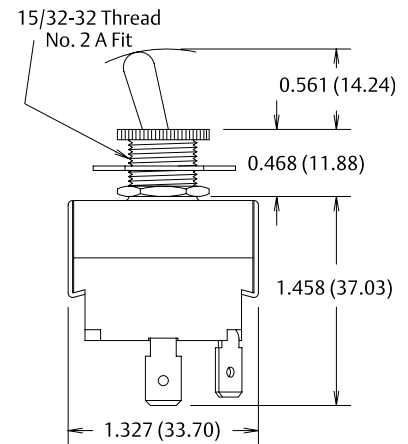
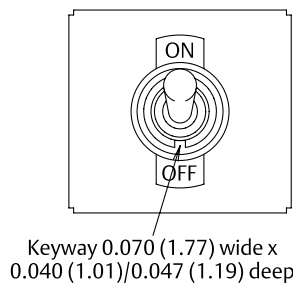
NOTE: Mounting hardware and terminal screws (where applicable) furnished unassembled. Mounting hardware consists of one plated hex nut and knurl nut. Indicating plate is also furnished for maintained ON-OFF circuits.

McGILL 0140 Series 3 and 4 Pole Toggle Switches



Specifications

- UL recognized
 - 17A, 277VAC
 - 1 HP, 125VAC
 - 2 HP, 250VAC
 - 1, 2 or 3 Phase
- CSA certified
 - 17A, 125-277VAC
 - 1 HP, 125VAC
 - 2 HP, 250VAC
 - 1, 2 or 3 Phase



Approximate dimensions in inches and (millimeters).

Construction

- .250 x .032 spade, solder and screw terminals.
- 14-gauge wire leads are also available. Consult factory for other circuits or custom designs.
- Available with rubber "O" ring to resist moisture or splashing liquids.

| Circuit Arrangement A B C | THREE POLE TOGGLE SWITCHES | | | | | | FOUR POLE TOGGLE SWITCHES | | | |
|------------------------------|----------------------------|----------------|-----------------|---------------------|-------|----------------|---------------------------|---------------------|--|--|
| | Poles | Cat. No. | | | Poles | Cat. No. | | | | |
| | | Screw Terminal | Solder Terminal | .250 Spade Terminal | | Screw Terminal | Solder Terminal | .250 Spade Terminal | | |
| on — off | 3PST | *0140-3020 | *0140-3010 | *0140-3000 | 4PST | *0140-4020 | *0140-4010 | *0140-4000 | | |
| (on) — off | 3PST | 0140-3021 | 0140-3011 | 0140-3001 | 4PST | 0140-4021 | 0140-4011 | 0140-4001 | | |
| on — (off) | 3PST | 0140-3022 | 0140-3012 | 0140-3002 | 4PST | 0140-4022 | 0140-4012 | 0140-4002 | | |
| on off on | 3PDT | 0140-3023 | 0140-3013 | 0140-3003 | 4PDT | 0140-4023 | 0140-4013 | 0140-4003 | | |
| on — on | 3PDT | 0140-3024 | 0140-3014 | 0140-3004 | 4PDT | 0140-4024 | 0140-4014 | 0140-4004 | | |
| on — (on) | 3PDT | 0140-3025 | 0140-3015 | 0140-3005 | 4PDT | 0140-4025 | 0140-4015 | 0140-4005 | | |
| on off (on) | 3PDT | 0140-3026 | 0140-3016 | 0140-3006 | 4PDT | 0140-4026 | 0140-4016 | 0140-4006 | | |
| (on) off (on) | 3PDT | 0140-3027 | 0140-3017 | 0140-3007 | 4PDT | 0140-4027 | 0140-4017 | 0140-4007 | | |

() Momentary * Indicating plate supplied with On-Off circuit only.

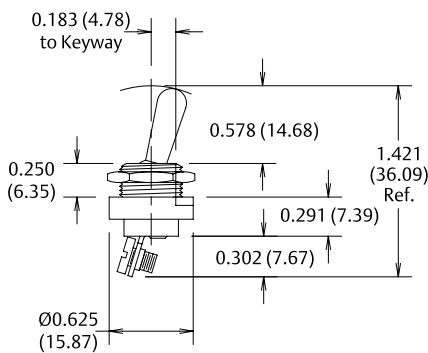
McGILL 0125 Series Shorting Switches



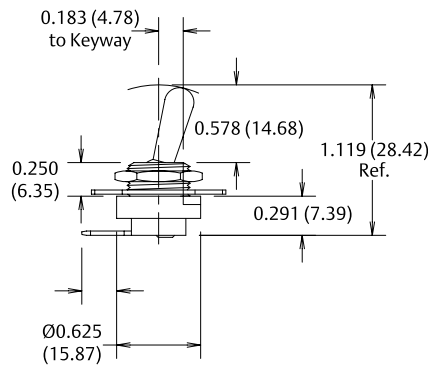
A single pole switch is commonly used for grounding or shorting gasoline motor ignition systems mounted with single wire to ignition coil primary. When in the “off” position, the terminal shorts to bushing mounting. It is especially suitable for chain saws and power lawn motors.

Construction

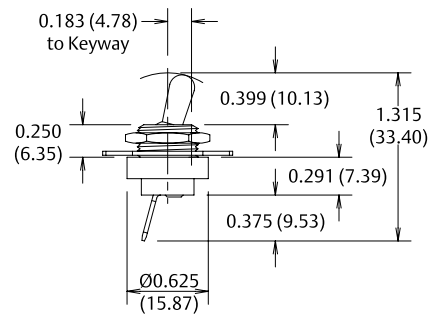
- Available with screw or spade terminals.
- .399” or .578” bat handle lengths.
- Indicating plate available.



0125-0001



0125-0029



0125-0069

Approximate dimensions in inches and (millimeters).

| Circuit Arrangement | | | 0125 Series | | | |
|---------------------|---|-----|-------------|----------------|--------------------------|----------------------|
| | | | Cat. No. | | | |
| A | B | C | Poles | Screw Terminal | .250 – Lo Spade Terminal | .250 75 Degree Spade |
| on | — | off | SPST | 0125-0001 | 0125-0029 | 0125-0069 |

McGILL Toggle Switches Parts and Accessories



- 4125-9999 (1575)** — Knurled nut .563" O.D. x .078" thick, 15/32-32 thread.
- 0090-9998 (1610-2)** — Hex nut 15/32-32 thread x .093" thick.
- 0090-9999 (1650)** — Indicating plate ON-OFF.
- 0090-9965** — Indicating plate I-O.
- 0090-9992 (25752)** — Grounding switch indicating plate ON-OFF.
- 0090-9996 (01650)** — Indicating plate HI-LO.
- 1002-9993 (1950)** — External tooth lockwasher .470" I.D. x .740" O.D.
- 0090-9995 (1957)** — Internal tooth lockwasher .472" I.D. x .593" O.D.
- 0091-9999 (25494)** — Locking ring .718" O.D. x .475" I.D. x .031" thick.
- 0000-9992 (25777-01)** — Black decorative tip for toggle lever.
- 0000-9994 (25777-02)** — White decorative tip for toggle lever.
- 0000-9997 (25777-03)** — Red decorative tip for toggle lever.

Rubber Boots Resists Moisture, Dirt, Dust, Many Solvents, Most Acids

- 0090-9988** — Boot with nut for toggle switches, 15/32-32 thread.
- 0090-9986** — Rubber boot for toggle switches. Snaps over toggle and nut.
- 0090-9973** — Rubber boot for pushbutton switches. Snaps over push button and nut.



McGILL 0100 Series

Single Pole Pushbutton Switches

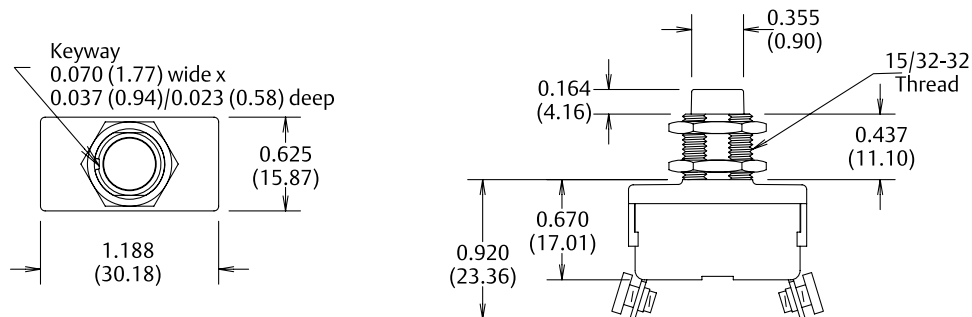


Specifications

- UL recognized, CSA certified
 - 15A, 125-250VAC
 - 1 HP, 125VAC
 - 1A, 125VDC
 - 1/2A, 250VDC
- Single Pole, Single Throw, Normally Open Circuit
- Momentary Contact Action

Construction

- Operating force is 2 lbs. max.
- .250 x .032 spade terminals are standard.
- .187 spade terminals, screw terminals, solder terminals and 16-gauge wire leads are also available. Consult factory for other circuits, or custom design.



Approximate dimensions in inches and (millimeters).

| Catalog No. | Terminals |
|-------------------|------------|
| 0100-0001 (100) | Screw |
| 0100-0002 (100-L) | Solder |
| 0100-0003 (100-S) | .250 Spade |

McGILL 1908 Series

Double Pole Pushbutton Switches

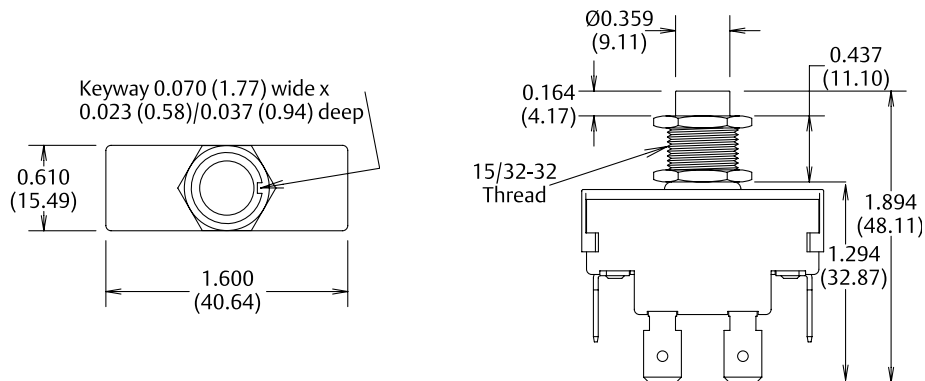


Specifications

- UL recognized, CSA certified
 - 24A, 125-250VAC
 - 2 HP, 125-250VAC
- Double Pole, Single Throw, Normally Open Circuit
- Momentary Contact Action

Construction

- Operating force is 8-10 lbs. max.
- .250 x .032 spade terminals are standard.
- .187 spade terminals, screw terminals, solder terminals and 16-gauge wire leads are also available. Consult factory for other circuits, or custom design.



Approximate dimensions in inches and (millimeters).



Agency Recognition

McGill switches are recognized by the following major agencies:



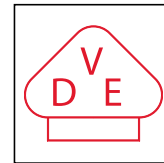
UL

*Underwriters Laboratories Inc.
Laboratories Inc. (USA)
Standard 1054
File E4793*



CSA

*Canadian
Standards Association
Standard C22.2 #55
File LR7504*



VDE

*Verband Deutscher
Electrotechniker e.V.
Standard EN-61058-1*

McGill switches are recognized by the major approval agencies throughout the world for AC circuit applications (and limited DC circuit applications). These agency ratings can be used for a guideline when evaluating specific electrical switch applications. However, the electrical, mechanical, thermal and environmental conditions to which the switch may be exposed in an application may differ significantly from agency test conditions. Accordingly, customers must not rely solely on agency ratings but rather must perform adequate testing to confirm the switch selected is appropriate for the application.