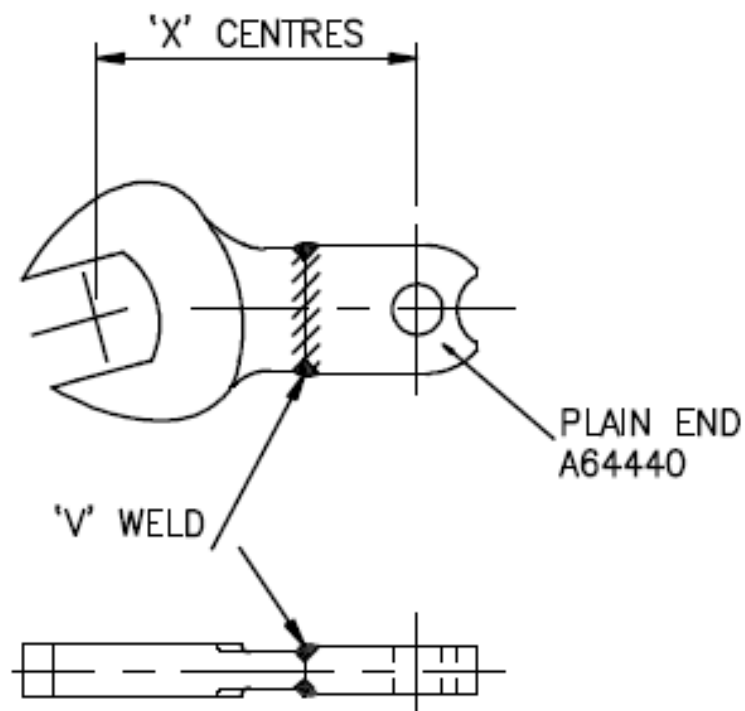


Part number: 012040

OPEN END EXTENSIONS

IMPERIAL			METRIC		
	"A"—A/F	"X" CTRS		"A"—A/F	"X" CTRS
A	UP TO 3/8in.	1 1/16in	D	UP TO 10mm	27mm ^⑨
B	OVER 3/8in. UP TO 3/4in.	1 1/2in	E	OVER 10mm UP TO 19mm	38mm
C	OVER 3/4in. UP TO 1 1/2in.	2in.	F	OVER 19mm UP TO 38mm	51mm



TORQUELEADER

Tannery Lane, Gosden Common
Bramley, Guildford, Surrey, GU5 0AJ

Main Switchboard:
+44 (0)1483 892772