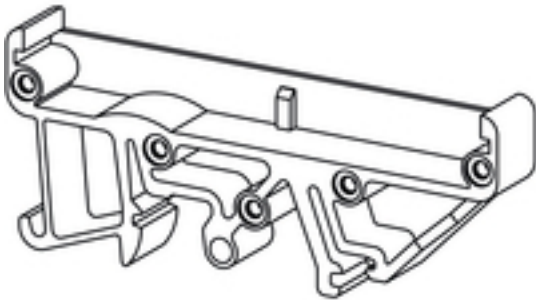


RS 70
RF RS 70 LI/A2/O.SG OR 1665**Weidmüller Interface GmbH & Co. KG**
Klingenbergstraße 26
D-32758 Detmold
Germany
Fon: +49 5231 14-0
Fax: +49 5231 14-292083
www.weidmueller.com

The RS 70 profile is supplied in fixed lengths. The desired length is obtained by connecting the individual pieces together. The PCB is pushed into the side of the profile. End cover plates close off the sides of the profile.. Elements for terminal rails and direct mounting are available here. The clip-on feet are permanently attached to the profile. Marking options are integrated into the side pieces.

General ordering data

| | |
|------------|--|
| Type | RF RS 70 LI/A2/O.SG OR 1665 |
| Order No. | 0119660000 |
| Version | Clip-in foot, RS 70 orange, Clip-in foot, Width: 10 mm |
| GTIN (EAN) | 4008 190096 106 |
| Qty. | 20 pc(s). |

Creation date April 23, 2020 1:33:35 PM CEST

Catalogue status 17.04.2020 / We reserve the right to make technical changes.

RS 70
RF RS 70 LI/A2/O.SG OR 1665

Weidmüller Interface GmbH & Co. KG
 Klingenbergstraße 26
 D-32758 Detmold
 Germany
 Fon: +49 5231 14-0
 Fax: +49 5231 14-292083
 www.weidmueller.com

Technical data
Dimensions and weights

| | | | |
|--------------------------|---------|-----------------|------------|
| Length | 70 mm | Length (inches) | 2.756 inch |
| Width | 10 mm | Width (inches) | 0.394 inch |
| Height | 33.5 mm | Height (inches) | 1.319 inch |
| Height of lowest version | 32 mm | Net weight | 5.045 g |

System characteristics

| | | | |
|-------------------|--------------|-----------------------------|------|
| Version | Clip-in foot | Number of PCBs per module | 1 |
| PCB thickness | 1.6 mm | Tolerance for the PCB shape | ±0.2 |
| Cross-connection | No | Contact to terminal rail | No |
| Protection degree | IP20 | Encapsulation option | No |

Material data

| | | | |
|---------------------------------------|----------|---------------------------------------|--------|
| Insulating material | PA 66 | Colour | orange |
| Colour chart (similar) | RAL 2000 | Comparative Tracking Index (CTI) | ≥ 600 |
| UL 94 flammability rating | V-2 | Storage temperature, min. | -25 °C |
| Storage temperature, max. | 55 °C | Max. relative humidity during storage | 80 % |
| Operating temperature, min. | -50 °C | Operating temperature, max. | 100 °C |
| Temperature range, installation, min. | -25 °C | Temperature range, installation, max. | 100 °C |

Classifications

| | | | |
|-------------|-------------|------------|-------------|
| ETIM 6.0 | EC002779 | ETIM 7.0 | EC002779 |
| eClass 9.0 | 27-18-27-90 | eClass 9.1 | 27-18-27-90 |
| eClass 10.0 | 27-18-27-92 | UNSPSC | 30-21-18-01 |

Approvals

| | |
|------|---------|
| ROHS | Conform |
|------|---------|

Downloads

| | |
|--------------------|--|
| Brochure/Catalogue | FL ANALO.SIGN.CONV. EN MB DEVICE MANUF. EN CAT 2 PORTFOLIOGUIDE EN FL MACHINE SAFETY EN FL 72H SAMPLE SER EN PO OMNIMATE EN |
| Engineering Data | EPLAN |
| Engineering Data | STEP |

Data sheet

RS 70
RF RS 70 LI/A2/O.SG OR 1665

Weidmüller Interface GmbH & Co. KG
 Klingenbergstraße 26
 D-32758 Detmold
 Germany
 Fon: +49 5231 14-0
 Fax: +49 5231 14-292083
 www.weidmueller.com

Drawings

LOCKING-FOOT LEFT

