



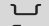
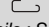


Fuse-holder terminal blocks for 10,3 x 38 mm 13/32 x 1 1/2 in. fuses

Compression clamp


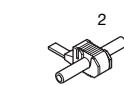



 **DIN 1 - DIN 3**

End stop		th. 9,1 mm	BADL	V0	0199 408.02
End stop		th. 9,1 mm	BAM		0103 002.26
Other end stops : See Accessories section					
Rail		35 x 7,5 x 1	PR30	prepunched	0173 220.05
Rail		35 x 15 x 2,3	PR4		0168 500.12
Rail		35 x 15 x 1,5	PR5	prepunched	0101 598.26
Rail		32 x 15	PR1Z2		0163 050.04
Other rails : See Accessories section					

Notes

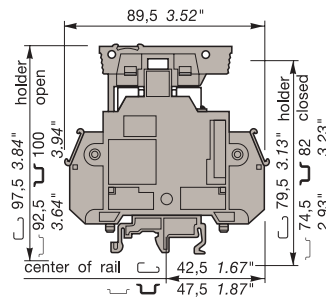
The use of some accessories may decrease the block's voltage rating. For more information, consult us.

Accessories



	1 Comb-type jumper bar	70 A
	2 IDC jumper	
	3 Fuse 10,3 x 38 mm - 500 V	
	4 Blown Fuse indicator (2)	
	R See section on markers marking method	

MB 10/22.SF...

Spacing 22 mm (.866")



22 mm block with or without blown fuse indicator.

Color	Type	Part numbers
Without blown fuse indicator :		
Grey		MB 10/22.SF 0116 302.23
With blown fuse indicator to be ordered separately :		
Grey		MB 10/22.SFL 0116 303.24

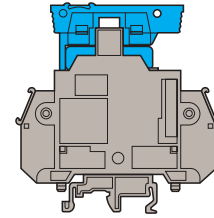
Characteristics

Wire size	IEC		UL	CSA
	NFC	DIN		
Compression Solid wire	0,5-10 mm ²		18-6 AWG	18-6 AWG
clamp Stranded wire	0,5-6 mm ²		18-10 AWG	18-10 AWG


Voltage			
Rated	800 V (1)	600 V (1)	600 V (1)
Pulse			
Pollution degree			
Current			
Rated	30 A	55 A	55 A
Wire size			
Rated / Gauge	6 mm ²	6 AWG	6 AWG
Wire stripping length	Recomm. screwdriver	Recomm. torque	Protection
12,5 mm .492"	6,5 mm .256"	2,3-4 Nm 20-35 lb.in	IP 10

MB 10/22.SN

Spacing 22 mm (.866")



22 mm block with disconnect link bar locked on blue holder.

Color	Type	Part numbers
Grey / Blue		MB 10/22.SN 0116 304.25

Characteristics

Wire size	IEC		UL	CSA
	NFC	DIN		
Compression Solid wire	0,5-10 mm ²		18-6 AWG	18-6 AWG
clamp Stranded wire	0,5-6 mm ²		18-10 AWG	18-10 AWG

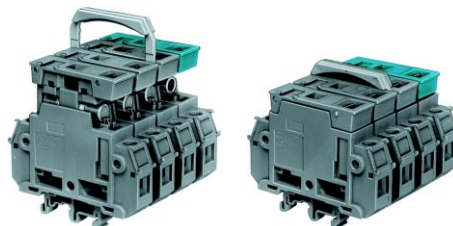
Voltage			
Rated	800 V (1)	600 V	600 V
Pulse			
Pollution degree			
Current			
Rated	30 A	55 A	55 A
Wire size			
Rated / Gauge	6 mm ²	6 AWG	6 AWG
Wire stripping length	Recomm. screwdriver	Recomm. torque	Protection
12,5 mm .492"	6,5 mm .256"	2,3-4 Nm 20-35 lb.in	IP 10

Type	Part numbers
PC22 3 poles	0205 295.06
PC22 10 poles	0174 151.25
AD2,5	0114 205.20
FU103 STD	
0,6 A	0167 086.11
1 A	0167 087.12
2 A	0167 076.26
4 A	0167 077.27
6 A	0167 078.00
8 A	0167 079.01
10 A	0167 080.27
12 A	0167 081.14
16 A	0167 082.15
20 A	0167 083.16
25 A	0167 084.17
32 A	0167 085.10
LEN (2) Neon 110 - 230 V	0167 075.25
LEN (2) Neon 480 V AC	0103 909.00
Leakage current with neon indicator < 0,5 mA (110 & 480 V AC) < 0,7 mA (230 V AC)	
LED 24VDC	0175 423.17
max. leakage current 5.2ma	

Type	Part numbers
PC22 3 poles	0205 295.06
PC22 10 poles	0174 151.25
AD2,5	0114 205.20

⑥ on top of the block
 Note : (1) Insulation voltage of terminal block - operating voltage : in accordance with fuse rating.
 (2) Only for P/N : 0116 303.24

Disconnect assemblies



MB 10/22.S1N	1 pole + neutral	0116 287.14
MB 10/22.S2	2 poles	0116 290.23
MB 10/22.S2N	2 poles + neutral	0116 269.01
MB 10/22.S3	3 poles	0116 293.12
MB 10/22.S3N	3 poles + neutral	0116 272.24
MB 10/22.S4	4 poles	0116 296.15