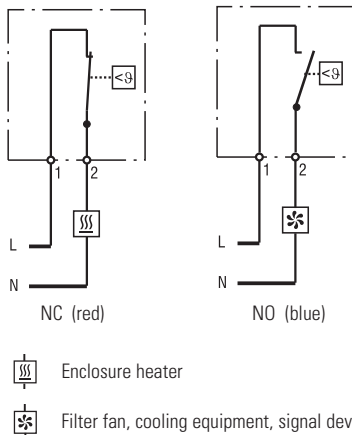
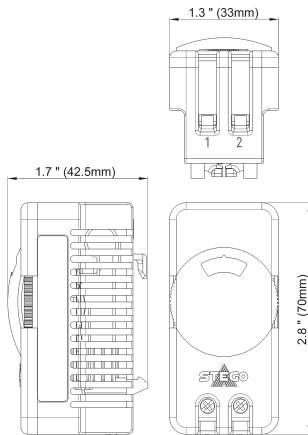




Convenient minimum set-point symbol on the NC thermostat to assure enclosure temperature remains above freezing



- Adjustable thumbwheel setting**
- Compact design**
- Small hysteresis**
- High switching capacity**
- DIN rail mountable**

The ST 011 thermostat is an SPST regulator with a small hysteresis. The housing design ensures optimized air circulation around the sensor element.

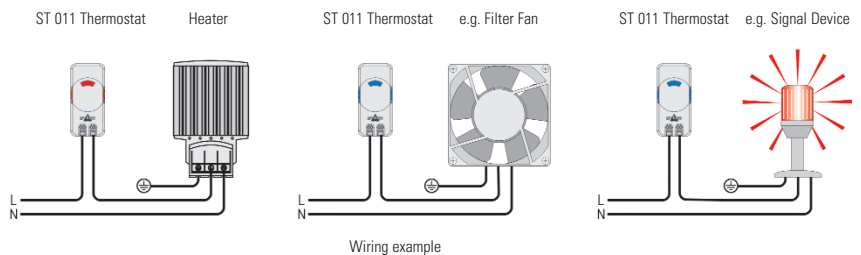
STO 011: NC / opens on temperature rise (**red** thumbwheel) - for regulating heaters or for switching signal devices when temperature has fallen below the minimum value.

STS 011: NO / closes on temperature rise (**blue** thumbwheel) - for regulating filter fans, heat exchangers, cooling devices or for switching signal devices when temperature limit has been exceeded.



Technical Data

Switching difference	7°F (4K) ± 5.4°F (3K) tolerance
Sensor element	thermostatic bimetal
Contact type	snap-action contact
Service life	> 100,000 cycles
Max. switching capacity	15A resistive / 2A inductive @ 120VAC 10A resistive / 2A inductive @ 250VAC DC 30 W (24-72VDC)
Max. inrush current	AC 16A for 10 sec.
Connection	2-pole terminal for AWG 14 max. (2.5mm ²), torque 1Nm max.
Housing	plastic, UL 94V-0, light grey
Mounting	clip for 35mm DIN rail, EN 60 715
Mounting position	vertical
Operating / Storage temperature	-49 to +176°F (-45 to +80°C)
Max. storage humidity	90% RH (non-condensing)
Dimensions	2.76 x 1.3 x 1.65" (70 x 33 x 42mm)
Weight	approx. 1.8 oz. (50g)
Protection type	IP20



Part No. (NC)	Part No. (NO)	Setting range	Approvals
01115.9-00	01116.9-00	32 to 140°F	UL and VDE submitted
01115.0-00	01116.0-00	0 to 60°C	UL and VDE submitted

Specifications are subject to change without notice. Suitability of this product for its intended use and any associated risks must be determined by the end customer/ buyer in its final application.