

H20 SERIES

INCREMENTAL ENCODER

Introduction

The Model H20 is a compact encoder designed to economically fill the resolution range up to 10,000 cycles per turn. This compact unit features a precision disc, precision ball bearings and EMI shielding. The encoder meets IP66 sealing requirements when ordered with the shaft seal and one of the available connectors.

GEN²

For **Generation 1** datasheet [click here](#).



Features

- Compact size to fit in tight installations
- Well-sealed for dusty and wet environments
- Shielded against EMI
- Reverse voltage protection
- Over voltage protection
- Output protection diode
- Any resolution from 1 to 10000 is available

Applications

- Machine control
- Process control and automation
- Agricultural machinery
- Robotics
- Food processing
- Metering operations

SPECIFICATIONS

Mechanical

Shaft Diameter	3/8" and 1/4" diameters standard.
Flat on Shaft	Standard on 3/8" shaft, 0.60" long; Special feature on 1/4" shaft
Shaft Loading	3/8" shaft: Up to 10 lbs axial and 20 lbs radial
Shaft Runout	.001 T.I.R. maximum
Starting Torque at 25°C	1.0 in-oz max. without shaft seal; 2.5 in-oz max with shaft seal
Bearings	High precision ball bearings, Material: Chrome steel
Shaft Material	Stainless Steel
Bearing Housing	Die cast aluminum with protective finish
Cover	Die cast aluminum with protective finish
Bearing Life	2x10 ⁸ revs at rated load, 1 x 10 ¹⁰ revs at 10% rated load
Maximum RPM	10,000 RPM (see frequency response, below)
Moment of Inertia	2.56 X 10 ⁻⁴ oz-in-sec ²
Weight	9 oz. typical

Electrical

Code	Incremental
Output Format	2 outputs in quadrature, A leads B CCW, 1/2 cycle index, Z, gated with negative B Consult factory for other output formats.
Cycles per Shaft Turn	1 to 10000
Supply Voltage	5 to 28 VDC +/- 5%
Current Requirements	100 mA typical + output load, 250 mA (max)
Voltage/Output	28/V: Multi-Voltage Line Drive, 5–28 VDC in, Vout = Vin 28/5: TTL, RS422 Line Driver, 5–28 VDC in, Vout = 5 VDC 28/O: NPN Line Driver Open Collector, 5–28 VDC in, NPN out (30V MAX) 28/VR, HTL Line Driver 5-28 VDC in, Vout=Vin 120 mA per channel 5, 12, 15 or 24/OR: R=100 ohm / V: 5V=470 ohm, 15V=1.5K ext. I
Protection Level	Reverse, overvoltage and line driver output protection diodes
Frequency Response	300 kHz

Environmental

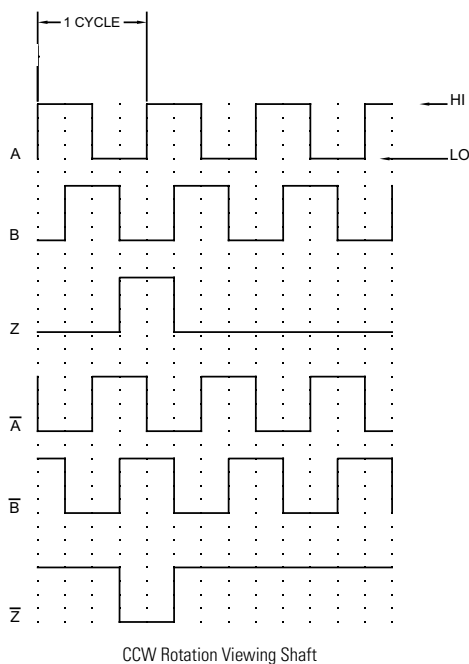
Enclosure Rating	IP66 when ordered with shaft seal and MS connector on cover. IP65 when ordered with shaft seal and cable gland. IP50 when ordered with no shaft seal.
Temperature	Operating temperature -40° C up to 85° C standard. Check factory for higher temperature options. Storage temperature -40° C to 100° C
Shock	100 g's for 5 msec duration
Vibration	50 to 2000 Hz @ 30grms
Humidity	98% RH without condensation

Notes and Tables: All notes and tables referred to in the text can be found in the pages that follow.

 **FIGURE 1**

Output Waveform

(45 deg min edge separation)



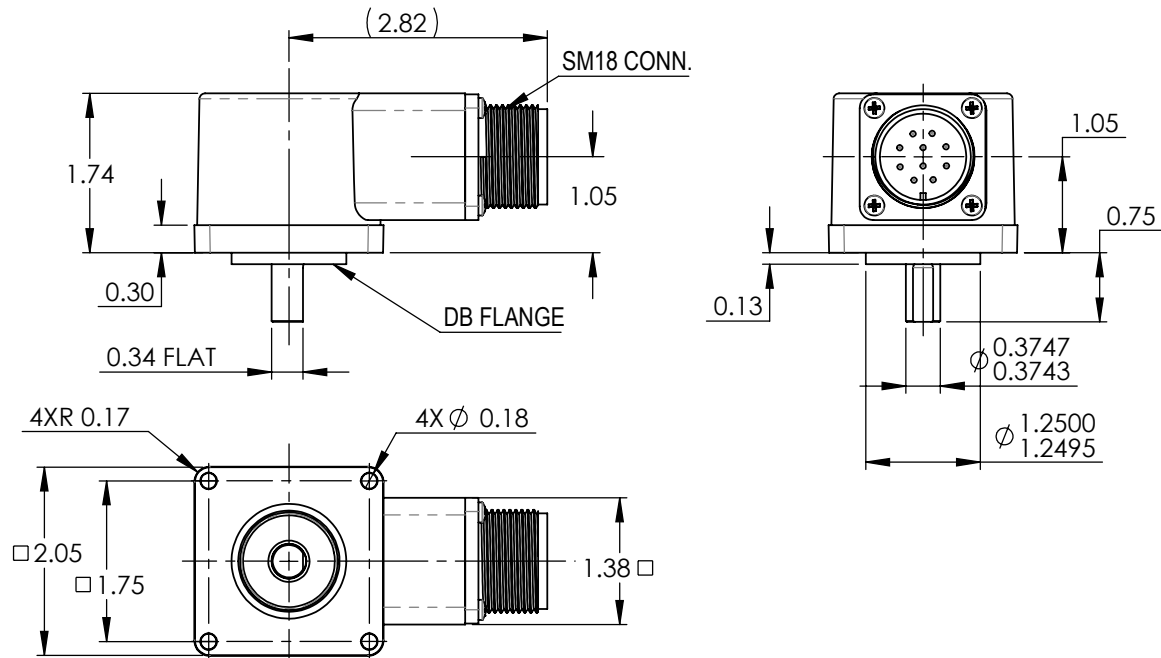


DIMENSIONS

Dimensions in inches

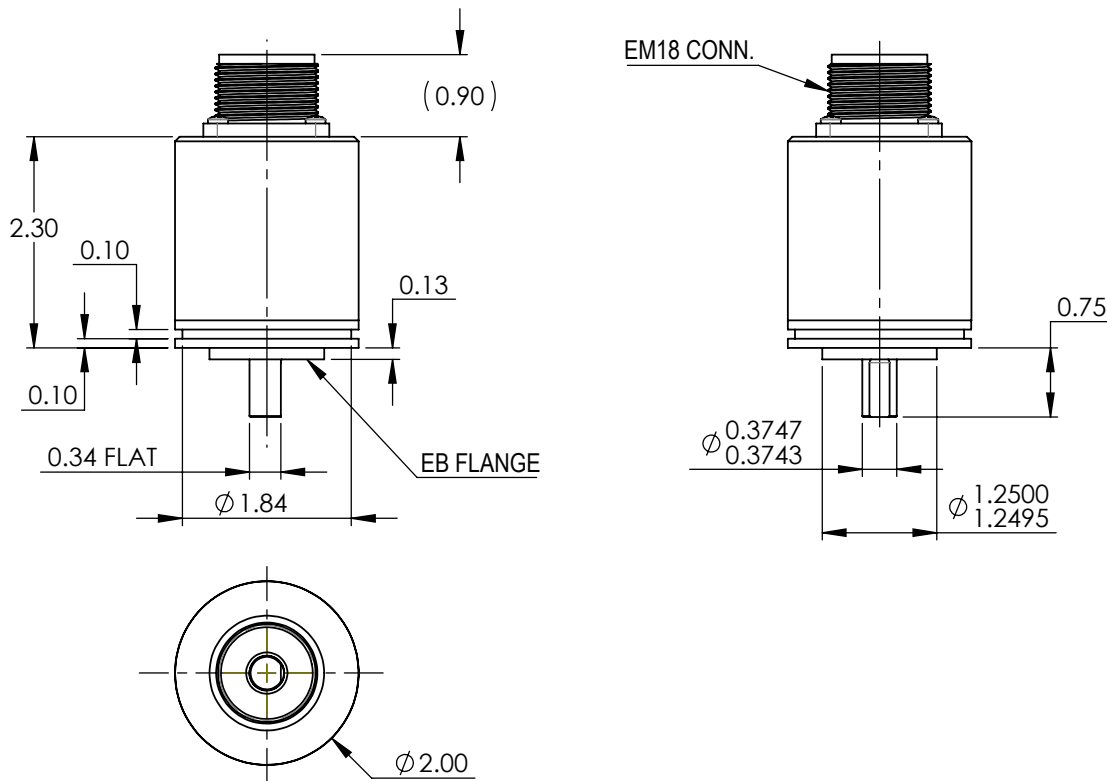
H20DB SQUARE FLANGE

(WITH STANDARD 3/8" SHAFT AND SM18 CONN.)

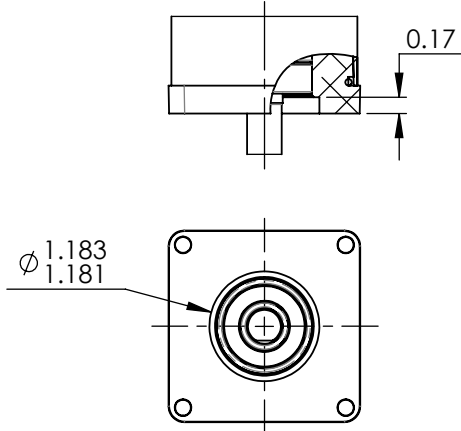


H20EB SERVO FLANGE

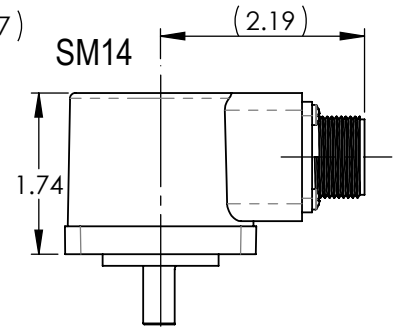
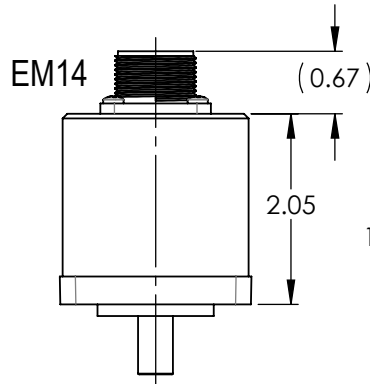
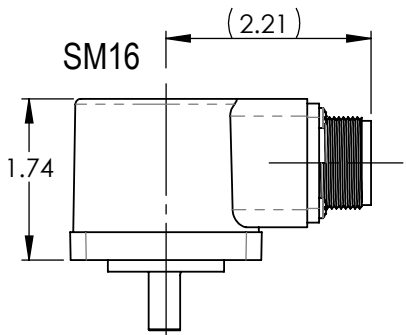
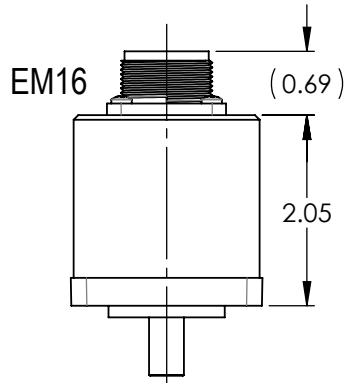
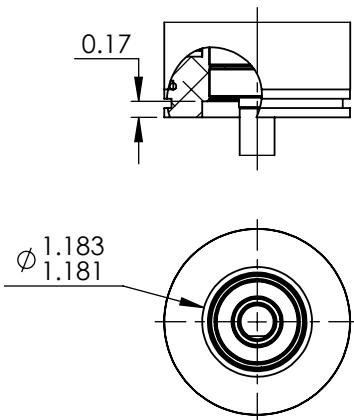
(WITH OPTIONAL F28 FACEMOUNT AND SM16 CONN.)



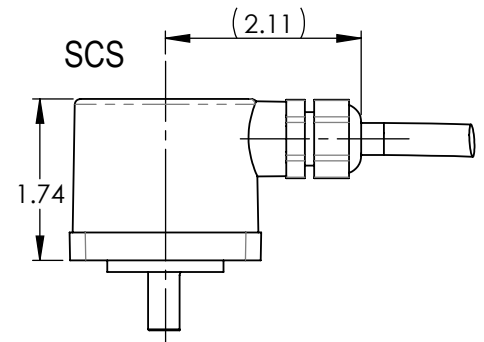
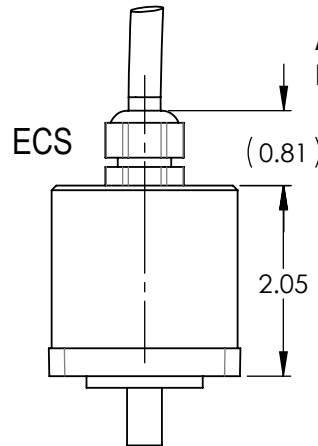
H20DA SQUARE FLANGE



H20EA SERVO FLANGE

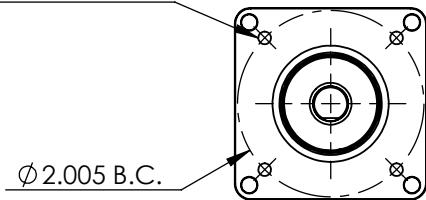


ALLOW FOR APPROX. 2 IN. CABLE BEND RADIUS BEYOND END OF CABLE GLAND



OPTIONAL FACEMOUNTS

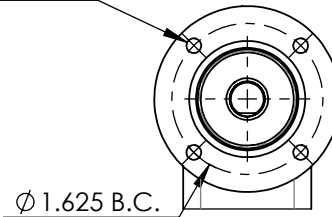
4X#6-32X.25 DP
EQUALLY SPACED



F5

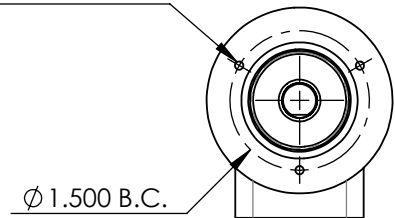
(DA OR DB FLANGE ONLY)

4X#10-32X.25 DP
EQUALLY SPACED



F12

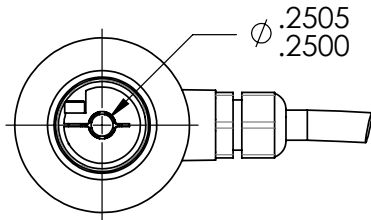
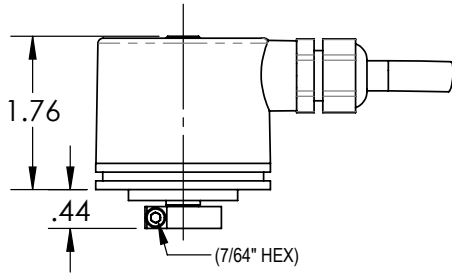
3X#4-40X.25 DP
EQUALLY SPACED



F28

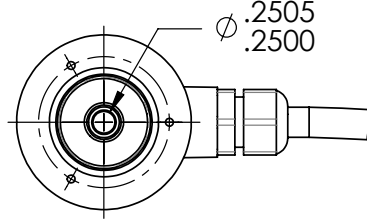
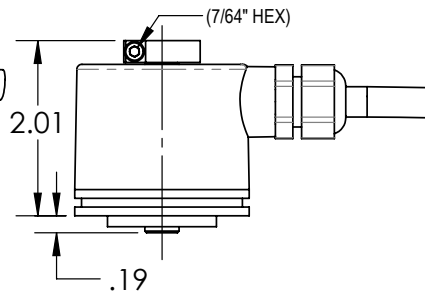
SHAFT VARIATIONS AVAILABLE:

H20EB-HS FRONT CLAMP
H20EB-B



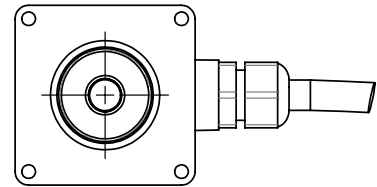
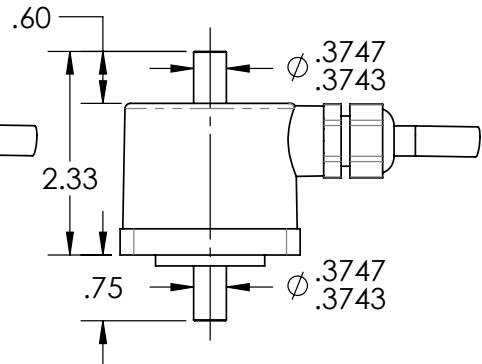
H20EB-HS BORE IS THRU
H20EB-B BORE IS .85 DP
FROM END OF SHAFT

H20EB-HS REAR CLAMP



H20EB-HS REAR
SHOWN WITH OPTIONAL
F28 FACEMOUNT

H20DB-37TS



TABLES

Table 1 —
Incremental Output Terminations

The connector style will determine pinouts. For example, an encoder with ABC channels and an M18 connector uses the table to the right.

M14 Connector PIN	M16 Connector PIN	Channels in Model No.	
		ABZ	ABC
E	A	A	A
D	B	B	B
C	C	Z	A/
B	D	+V (Supply Voltage)	
F	E	—	B/
A	F	0V (Circuit Common)	
	G	Case Ground (CG) (Optional special feature on H20)	

K8 Connector		
PIN (K8)	Function	K8 Accessory Cable Wire
1	A	WHITE
4	B	YELLOW
6	Z	PINK
2	+V (SUPPLY)	BROWN
7	0V (CIRCUIT COMMON)	BLUE
N/C	CASE GROUND	(SHIELD)
3	A/	GREEN
5	B/	GRAY
8	Z/	RED

M18 Connector	
PIN	Function
A	A
B	B
C	Z
D	+V
E	—
F	0V
G	—
H	A/
I	B/
J	Z/

Wire Color (22AWG)	Channels in Model No.		
	ABZ	ABC	ABZC
YEL	A	A	A
BLUE	B	B	B
ORN	Z	—	Z
W-YEL	—	A/	A/
W-BLU	—	B/	B/
W-ORN	—	—	Z/
RED	+V (Supply Voltage)		
BLK	0V (Circuit Common)		
GRN	Case Ground (CG) (Optional special feature on H20)		
WHITE	Shield Drain (Shielded Cable Only)		

EXPRESS ENCODERS: Items highlighted with this are standard Express Encoders and ship in few days.



ORDERING OPTIONS

Example : H20DB-37-SS-1024-ABZC-28/V-SM18








	H20	D	B	37	SS	1024	ABZ	C	28/V	S	M18
Type											
X = Express (3 days leadtime)											
Blank = Standard Leadtime											
Family											
H20 = Heavy duty, 2.0" dia.											
Housing Configuration											
D = Square Flange											
E = 2.00 Diameter Servo Mount See dimensions											
Pilot Configuration											
A = 1.181 (30mm) Female											
B = 1.25 x .125 Pilot											
Shaft Diameter											
Blank when ordering BS, HS or TS shaft types											
25 = 0.2497 / 0.2495											
37 = 0.3747 / 0.3745											
Shaft Type											
Blank = Single Ended Shaft (Standard)											
BS = Blind Hollow Shaft, 1/4" bore											
HS = Through Hollow Shaft, 1/4" bore											
TS = Through Solid Shaft, 3/8" standard											
Face Mount											
F5, F12, F28 See Dimensions											
Blank = None											
Shaft Seal											
SS = Shaft Seal - Available only with Pilot Configuration Option B											
Blank = No Shaft Seal											
Cycles Per Turn											
1 to 10000											
Examples: 100 = 100 CPT, 1024 = 1024 CPT, 4096 = 4096 CPT, etc.											
No. of Channels											
A = Single Channel											
AB = Dual Quad. Channel											
ABZ = Dual with Index											
AZ = Single with Index											
Complements											
C = Complementary Outputs											
Blank = None											
Voltage / Output											
28/V = 5-28Vin/out											
28/5 = 5-28Vin/5Vout											
28/O = 5-28Vin/OCout											
28/VR = 5-28 VDC in/Vout NOTE: Not available with BS, HS and TS Shaft options											
xx/OR = 05, 12, 15, 24Vin/OR											
Output Termination Location											
E = End											
S = Side											
Output Termination											
M14 = MS3102R14S-6P											
M18 = MS3102R18S-1P											
M16 = MS3102R16S-1P											
K8 = M12 x 1 (metric connector)											
CSXX = Cable with Seal. XX is cable length in 6 inch increments starting at 24											
Hazardous Area Ratings											
Blank = None											
EX = Intrinsically safe											
NI = Non-Incendive											
Contact Factory for Voltage Options											
Special Features											
S = Special features specified on purchase order. (See notes)											
Blank = no special features											

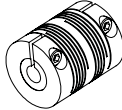
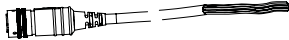
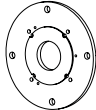
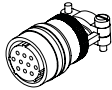
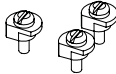
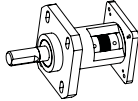
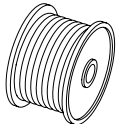
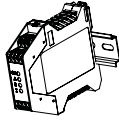
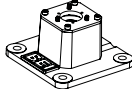

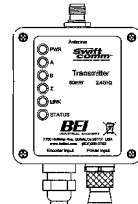
NOTES

- The shaft seal is recommended in virtually all installations. The most common exceptions are applications requiring a very low starting torque or those requiring operation at both high temperature and high speed.
- Complementary outputs are recommended for use with line driver type (source/sink) outputs. When used with differential receivers, this combination provides a high degree of noise immunity.
- Output IC's are available as either Line Driver (LD) or NPN Open Collector (O) types.
- Open Collectors require pull-up resistors, resulting in higher output source impedance (sink impedance is similar to that of line drivers). In general, use of a Line Driver style output is recommended.
- Line Drivers source or sink current and their lower impedance mean better noise immunity and faster switching times. Warning: Do not connect any line driver outputs directly to circuit common/OV, which may damage the driver. Unused outputs should be isolated and left floating.
- Our applications specialists would be pleased to discuss your system requirements and the compatibility of your receiving electronics with Line Driver type outputs.
- Special -S at the end of the model number is used to define a variety of non-standard features such as special shaft lengths, voltage options, or special testing. Please consult the factory to discuss your special requirements.

AGENCY APPROVALS & AVAILABLE CERTIFICATIONS

Special Models of the H20 Incremental Encoder are available with one or more of the following certifications. Consult with factory in order to ensure how to correctly specify the agency approval(s) that you require.

Model H20 Hazardous Area Ratings	Agency		Ratings and Markings (for all standard product configurations)	File Number
Blank		CE	EN 55011: Electromagnetic Disturbance (EMI) EN 61000-6-2: Electromagnetic Compatibility (EMC)	
EX Intrinsic Safety		UL	Class I, Groups A, B, C, D Class II, Groups E, F, G	20180302-E78446
		DEMKO	II 1 G Ex ia IIC T4 Ga (9V/OC is II 1 G Ex ia IIB T4 Ga)	DEMKO 06 ATEX 0614247X
		IEC/IECEX	Ex ia IIC T4 Ga (9V/OC is Ex ia IIB T4 Ga) -40°C ≤ Ta ≤ +85°C	IECEX UL 12.0035X
NI Non-Incendive		UL	Class I, Div. 2, Groups A, B, C, D Class II, Div. 2, Groups F, G	20170321-E78446
		DEMKO	II 3 G Ex nA IIB T3 Gc T3B: -40°C ≤ Ta ≤ +85°C T4: -40°C ≤ Ta ≤ +55°C	DEMKO 13 ATEX 1209038X
		IEC/IECEX	Ex nA IIB T3 Gc T3B: -40°C ≤ Ta ≤ +85°C T4: -40°C ≤ Ta ≤ +55°C	IECEX UL 13.0071X

Description	Part Number
Flexible shaft couplings 	39074-12-12 = 3/8 to 3/8 39074-12-8 = 3/8 to 1/4 39074-8-8 = 1/4 to 1/4
Connector cable assemblies 	31186-1810 = M18, 10pin, 10 ft length 31186-1820 = M18, 10pin, 20 ft length 31186-1850 = M18, 10pin, 50 ft length 31186-1610 = M16, 7pin, 10 ft length 31186-1620 = M16, 7pin, 20 ft length 31186-1650 = M16, 7pin, 50 ft length 31186-1410 = M14, 6pin, 10 ft length 31186-1420 = M14, 6pin, 20 ft length 31186-1450 = M14, 6pin, 50 ft length 31186-1210 = M12, 10pin, 10 ft length 31186-1220 = M12, 10pin, 20 ft length 31186-1250 = M12, 10pin, 50 ft length
Adapter plates 	38228-001 = Aluminum 38228-002 = Delrin
Connector mates 	MS3106F18-1S = Mates to standard M18 style, 10pin conn. MS3106F16S-1S = Mates to standard M16 style, 7pin conn. MS3106F14S-6S = Mates to standard M14 style, 6pin conn. MS3116F12-10S = Mates to standard M12 style, 10pin conn.
Servo clamps 	31165-001 = 0.093 grip 31165-002 = 0.125 grip
High load bearing assemblies 	11008-000 = H20 and H25 flange mount 11009-001 = H25 foot mount 11009-002 = H20 foot mount
Bulk encoder cable 	37048-003-100 = 100 ft spool 37048-003-500 = 500 ft spool 37048-003-1000 = 1K ft spool
Electronic Modules 	60001-010 = Opto isolator 60011-001 = Broadcaster 60002-000 = Encoder tester *There are many options for Electronic modules, consult factory for help selecting the best one for your application
Mounting adapters 	11012-002 = H25 56C
12 in. OD Measuring wheels 	31196-001 = 3/8in. Bore 31196-002 = 1/2in. Bore 31196-003 = 5/8in. Bore
SwiftComm 	60032-001 = Wireless Interface 5V In, 10FT, M18 60032-003 = Wireless Interface 15V In, 10FT, M18 60032-005 = Wireless Interface 24V In, 10FT, M18

Sensata Technologies, Inc. ("Sensata") data sheets are solely intended to assist designers ("Buyers") who are developing systems that incorporate Sensata products (also referred to herein as "components"). Buyer understands and agrees that Buyer remains responsible for using its independent analysis, evaluation and judgment in designing Buyer's systems and products. Sensata data sheets have been created using standard laboratory conditions and engineering practices. Sensata has not conducted any testing other than that specifically described in the published documentation for a particular data sheet. Sensata may make corrections, enhancements, improvements and other changes to its data sheets or components without notice.

Buyers are authorized to use Sensata data sheets with the Sensata component(s) identified in each particular data sheet. HOWEVER, NO OTHER LICENSE, EXPRESS OR IMPLIED, BY ESTOPPEL OR OTHERWISE TO ANY OTHER SENSATA INTELLECTUAL PROPERTY RIGHT, AND NO LICENSE TO ANY THIRD PARTY TECHNOLOGY OR INTELLECTUAL PROPERTY RIGHT, IS GRANTED HEREIN. SENSATA DATA SHEETS ARE PROVIDED "AS IS". SENSATA MAKES NO WARRANTIES OR REPRESENTATIONS WITH REGARD TO THE DATA SHEETS OR USE OF THE DATA SHEETS, EXPRESS, IMPLIED OR STATUTORY, INCLUDING ACCURACY OR COMPLETENESS. SENSATA DISCLAIMS ANY WARRANTY OF TITLE AND ANY IMPLIED WARRANTIES OF MERCHANTABILITY, FITNESS FOR A PARTICULAR PURPOSE, QUIET ENJOYMENT, QUIET POSSESSION, AND NON-INFRINGEMENT OF ANY THIRD PARTY INTELLECTUAL PROPERTY RIGHTS WITH REGARD TO SENSATA DATA SHEETS OR USE THEREOF.

All products are sold subject to Sensata's terms and conditions of sale supplied at www.sensata.com SENSATA ASSUMES NO LIABILITY FOR APPLICATIONS ASSISTANCE OR THE DESIGN OF BUYERS' PRODUCTS. BUYER ACKNOWLEDGES AND AGREES THAT IT IS SOLELY RESPONSIBLE FOR COMPLIANCE WITH ALL LEGAL, REGULATORY AND SAFETY-RELATED REQUIREMENTS CONCERNING ITS PRODUCTS, AND ANY USE OF SENSATA COMPONENTS IN ITS APPLICATIONS, NOTWITHSTANDING ANY APPLICATIONS-RELATED INFORMATION OR SUPPORT THAT MAY BE PROVIDED BY SENSATA.

Mailing Address: Sensata Technologies, Inc., 529 Pleasant Street, Attleboro, MA 02703, USA.

CONTACT US

Americas

+1 (800) 350 2727 – Option 1
sales.beisensors@sensata.com
Europe, Middle East & Africa
+33 (3) 88 20 8080
position-info.eu@sensata.com

Asia Pacific

sales.isasia@list.sensata.com
China +86 (21) 2306 1500
Japan +81 (45) 277 7117
Korea +82 (31) 601 2004
India +91 (80) 67920890
Rest of Asia +886 (2) 27602006
ext 2808