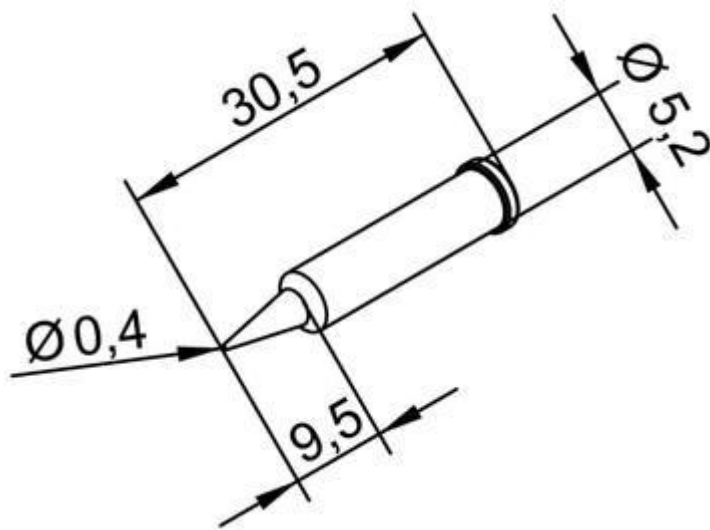


0102PDLF04/SB



ERSA i-Tip Long-life soldering tip with ERSADUR-LF coating for i-Tool soldering iron for i-CON soldering station\n\n1 pc/p pu

Coating Long-life tip

Shape of soldering tip: pencil point

Soldering tip diameter / width (mm) 0,40

Interior diameter of the shaft (mm): 3,5

Exterior diameter of the shaft (mm): 5,2

Total length (mm) 30,50

Weight (g) 0,003