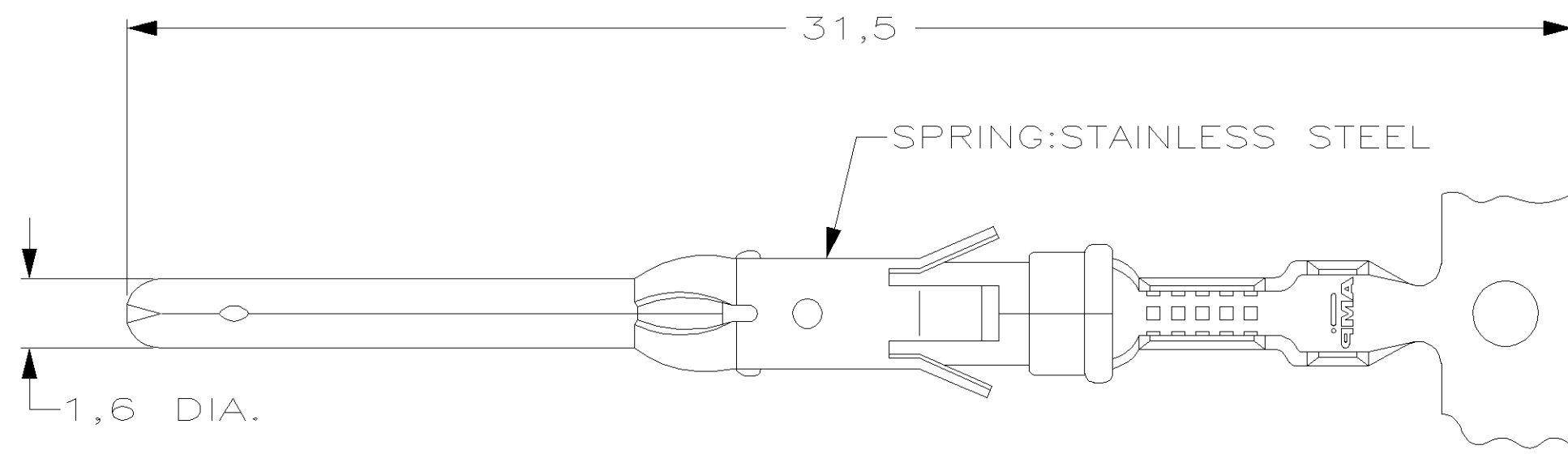
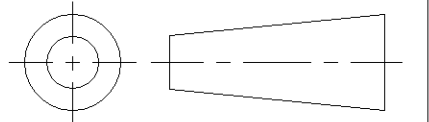


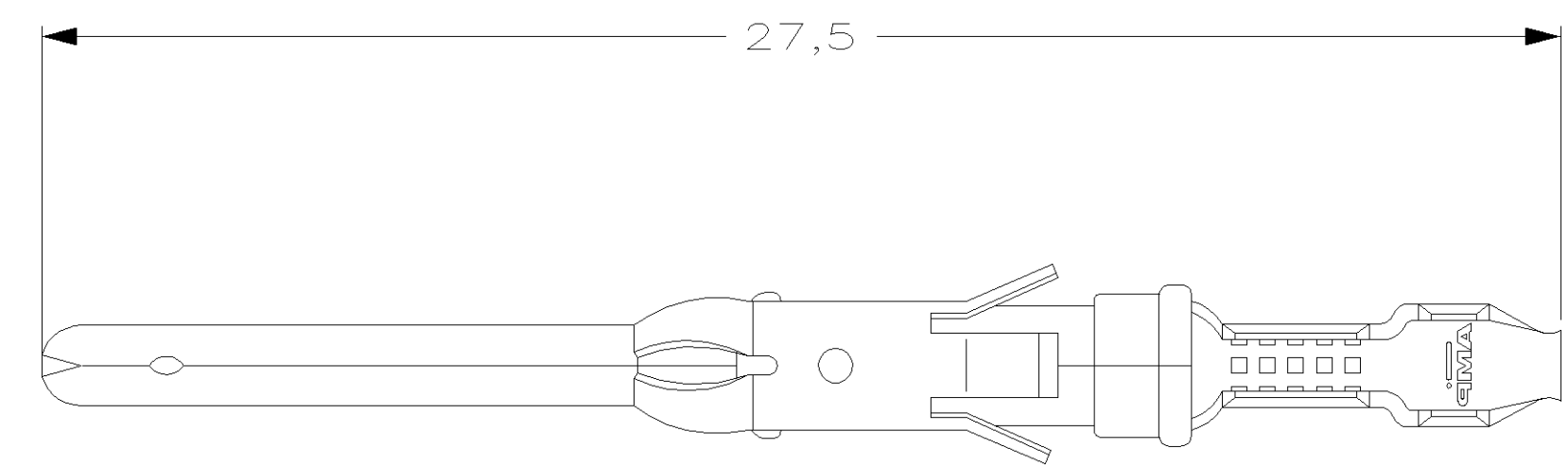
DO NOT SCALE  
DIMENSIONS IN mm

METRIC

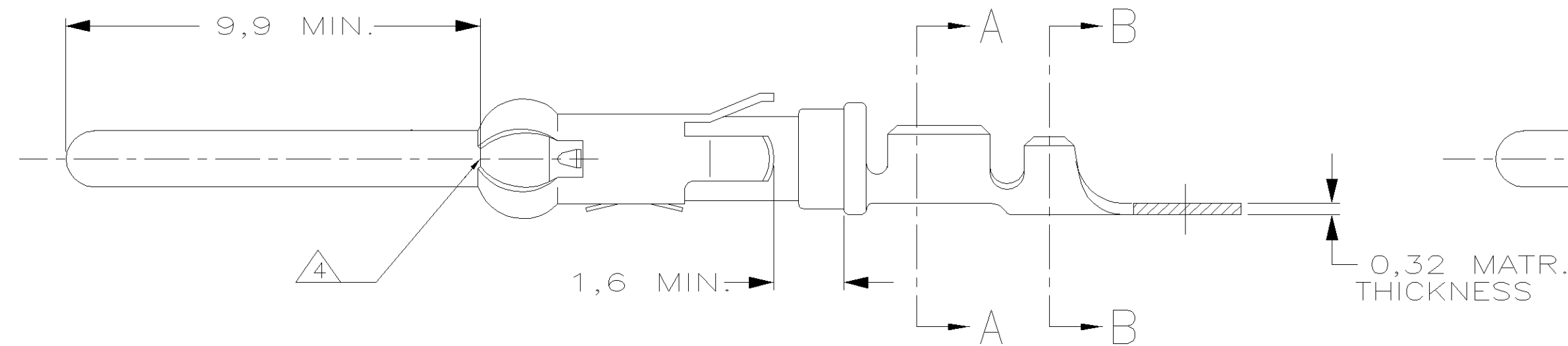
THIRD ANGLE  
PROJECTION



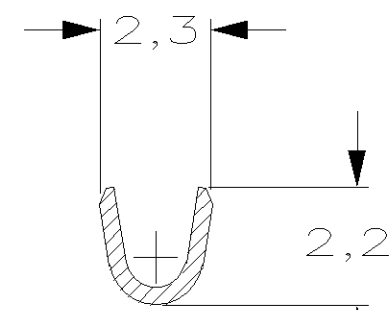
STRIP



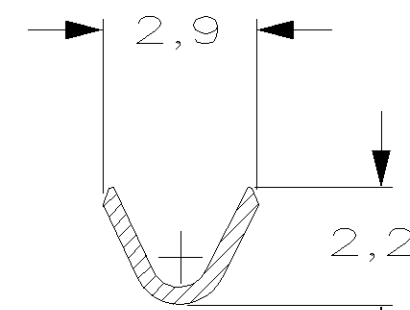
LOOSE-PIECE



COLOR CODE:YELLOW



SECTION A-A



SECTION B-B

WIRE RANGE : 0,20-0,50 mm? (24-20 AWG)  
INSUL. RANGE : 1,1 -1,8 mm (.045-.070)

|            |        |    |            |       |           |     |     |
|------------|--------|----|------------|-------|-----------|-----|-----|
| 1-163085-4 | △1     | △A | 1-163086-1 | BRASS | EL.TIN    | △31 | △20 |
| 1-163085-3 |        | △A | 1-163086-3 | BRASS | BR. TIN   |     | △30 |
| 5-163085-3 | △5     | △C |            | BRASS | ECON.GOLD | △21 |     |
| 5-163085-2 | △1, △5 | △C |            | BRASS | SEL.GOLD  | △22 |     |
| 5-163085-1 | △1, △5 | △C |            | BRASS | EL.TIN    | △20 |     |
| 1-163085-2 |        | △B |            | BRASS | GOLD      | △23 |     |
| 1-163085-1 |        | △A |            | BRASS | ECON.GOLD | △21 |     |
| 1-163085-0 |        | △B | 1-163086-0 | BRASS | ECON.GOLD | △21 |     |
| 163085-9   |        | △A |            | BRASS | EL.TIN    | △20 |     |
| 163085-8   |        | △A |            | BRASS | SEL.GOLD  | △22 |     |
| 163085-2   | △1     | △B | 163086-2   | BRASS | SEL.GOLD  | △22 |     |
| 163085-1   | △1     | △B | 163086-1   | BRASS | EL.TIN    | △20 |     |

|                                      |    |
|--------------------------------------|----|
| AMPOMATOR + MINI-APPL<br>107-3-FIG.1 | △A |
| 107-3-FIG.2                          | △B |
| 107-3-FIG.4                          | △C |

| NOTES | MATERIAL                | THICKNESS          | AREA                                 |
|-------|-------------------------|--------------------|--------------------------------------|
| △20   | TIN                     | 2,0 μm             | ALL OVER                             |
| △21   | NICKEL<br>GOLD<br>TIN   | 0,8 μm             | ALL OVER<br>CONTACT AREA<br>BARREL   |
| △22   | NICKEL<br>GOLD<br>GOLD  | 0,8 μm             | ALL OVER<br>CONTACT AREA<br>ALL OVER |
| △23   | NICKEL<br>GOLD<br>GOLD  | 1,2 μm             | ALL OVER<br>CONTACT AREA<br>ALL OVER |
| △27   | NICKEL<br>SILVER<br>TIN | 2,5 μm             | ALL OVER<br>CONTACT AREA<br>BARREL   |
| △28   | SILVER                  | 0,5 μm             | ALL OVER                             |
| △29   | SILVER                  | 2,5 μm             | ALL OVER                             |
| △30   | NICKEL<br>BRIGHT TIN    | 1,27 μm<br>1,27 μm | ALL OVER<br>ALL OVER                 |
| △31   | LUBRICATED              |                    |                                      |

|       |                 |       |      |           |   |
|-------|-----------------|-------|------|-----------|---|
| AC    | EBD0-0463-04    | RS    | MG   | 13/12/04  |   |
| AB    | EBD0-0335-04    | JMS   | FWK  | 02/08/04  |   |
| V     | EB00-0341-02    | PB    | SS   | 3 OCT 02  |   |
| T1    | EH-1189-95      | D.K.  | R.V. | 06 OCT 95 |   |
| T     | EH-0302-94      | JvL   | MvD  | 03-05-94  |   |
| S     | ECN H-9526      | MvD   | RD   | 06-02-92  |   |
| R     | ECN H-9192      | MvD   | RD   | 09-10-91  |   |
| LTR.  | REVISION RECORD | DR.   | CHK. | DATE      |   |
| DR.:  | -               | CHK.: | -    | APP.:     | - |
| DATE: | -               | DATE: | -    | DATE:     | - |

| PARTNUMBER   | DIRECTION OF REEL | LOOSE-PIECE   | MATERIAL | PLATING |
|--|-------------------|---|----------|---------|
| CUSTOMER DRAWING FOR REFERENCE ONLY WILL NOT BE UPDATED  |                   |   |          |         |
| © COPYRIGHT 19 - BY AMP HOLLAND B.V. ALL INTERNATIONAL RIGHTS RESERVED. AMP PRODUCTS MAY BE COVERED BY U.S. AND FOREIGN AND/OR PATENTS PENDING. THIS DRAWING IS UNPUBLISHED RELEASED FOR PUBLICATION - ,19 - |                   |   |          |         |
| <b>AMP</b>   |                   | AMP HOLLAND B.V.<br>'s-Hertogenbosch,<br>The Netherlands. |          |         |
| NAME   |                   |   |          |         |
| TYPE_III_PIN_CONTACT<br>SIZE_16  |                   |   |          |         |
| DWG.No.  | REV.LTR.          | SHEET   | A3       |         |
| 163085   | AC                | 1 of 1  |          |         |

NOTES :

- △1 U.L.RECONIZED UNDER FILE E28476 VOL.VI SEC.I
- 2 FOR CRIMPDETAILS SEE AMP-SPEC. 114-19.000 .
- 3 MEETS PRODUCTSPECIFICATION 108-10042.
- △4 0,40 MAX. GAP BETWEEN SPRING-NOSE AND CONTACT BODY.
- △5 SPECIAL REEL WITH 200 PCS FOR REEL-FED HAND-. TOOL